



INSTALLATION AND OPERATION MANUAL

FREESTANDING
VENTED GAS
FIREPLACE
HEATER

RETAIN THESE
INSTRUCTIONS
FOR FUTURE
REFERENCE



Shown with optional gold door and brickaded interior

MODELS L30 BF-2 (B-Vent)

P/N 775030M, IR, 06/01



Report No.
189122-1050009

WARNING

If the information in this manual is not followed exactly, a fire or explosion may result causing property damage, person injury or loss of life.

Do not store or use gasoline or other flammable vapors and liquids in the vicinity of this or any other appliance.

WHAT TO DO IF YOU SMELL GAS

- * Do not try to light any appliance.
- * Do not touch any electrical switch.
- * Do not use any phone in your building.
- * Immediately call your gas supplier from a neighbor's phone. Follow the gas supplier's instructions.
- * If you cannot reach your gas supplier, call the fire department.

Installation and service must be performed by a qualified installer, service agency or gas supplier. This appliance is only for use with the type(s) of gas indicated on the rating plate. This appliance is not convertible for use with other gases, unless a certified kit is used.

IMPORTANT WARNINGS / CAUTIONS

CAUTION: Read this manual thoroughly before starting installation. For your safety, follow the installation, operation and maintenance instructions exactly without deviation. Failure to follow these instructions may result in a possible fire hazard and may void the warranty. If this appliance is not properly installed, a house fire may result. Contact local building or fire officials about restrictions and installation inspection in your area.

1. **WARNING:** Improper assembly, installation, adjustment, alteration, service or maintenance can cause injury and / or property damage. Installation and service must be performed by a qualified installer, service agency or the gas supplier. Except when complying with local codes, any deviation from the installation and / or operating instructions contained in this manual will void the appliance warranty and may be hazardous.
2. Due to high temperatures, this appliance should be located out of traffic and away from furniture, draperies and not in windy or drafty areas.
3. The appliance must NOT be connected to a chimney flue serving a separate solid-fuel burning appliance.
4. **CAUTION: HOT WHILE IN OPERATION.** An appliance hot enough to warm your home can severely burn anyone touching it. Keep children, clothing and furniture away. Contact may cause skin burns. Do not let children touch the appliance. Train them to stay a safe distance from the unit.
5. Do not place clothing or other flammable material on or near the gas appliance. The minimum clearances must be maintained for all combustible surfaces and materials including; furniture, carpet, drapes, clothing, wood, papers, etc.
6. Do not connect 110-12 VAC (residential line voltage) to the gas control valve or control wiring system of the unit.
7. Any safety screen or guard removed for servicing must be replaced prior to operating the appliance.
8. **WARNING:** Use only the glass door certified with this appliance. Exercise caution to protect glass from impact. Do not operate the appliance with broken glass or use substitute materials.
9. **DO NOT USE** this appliance if any part has been under water. Immediately call a qualified service technician to inspect the appliance and replace any part of the control system and gas control which has been under water.
10. Do not burn wood or other material in this heater.
11. **WARNING:** The appliance area must be kept clear and free from combustible materials, gasoline and other flammable vapors and liquids.
12. Do not use a blower insert, heat exchanger insert or other accessory not approved for use with this appliance.
13. This appliance is not for use with air filters.
14. The appliance should be inspected and maintained at least annually by a professional service person. More frequent cleaning may be required due to excessive lint from carpeting, bedding material, etc. It is imperative that control compartments, burners and circulating air passageways of the appliance be kept clean.
15. This appliance is only for use with the type of gas indicated on the rating label (located inside control panel). This appliance is not convertible for use with other fuel unless a certified kit is used.
16. **CAUTION:** Under no circumstances should these appliances be vented to other rooms or buildings. These appliances must only be vented to the outside. Vent terminations shall not be recessed into a wall or siding (Vent must terminate vertical).
17. This appliance is equipped with a safety control system (spill switch) designed to protect against improper venting of combustion products or vent blockage.
18. Never seal the opening at the rear of the stove.
19. Provisions must be made to ensure an adequate supply of combustion and draft hood dilution air to the room where the appliance is installed.
20. It is imperative that the flow passages of the vent termination cap remain unrestricted.
21. **WARNING:** These appliances must be properly connected to a venting system. Operation of these gas appliances when not connected to a properly installed and maintained venting system can result in carbon monoxide (CO) poisoning and possible death.
22. **WARNING:** Do not modify the venting system, appliance, or controls in any way. Be advised, any modification can be dangerous.
23. **IMPORTANT:** Do not exceed the maximum horizontal runs allowed. Installation in areas exposed to strong winds may cause sooting.
24. **SAVE THESE INSTRUCTIONS.**

TABLE OF CONTENTS

Important Warnings	2
Testing / Listing, Using this Manual	3
Planning Your Installation	4-6
Installation	7-11
Care and Operation.....	12-13
Propane Conversion.....	14-15
Maintenance.....	16-17
Wiring Diagrams.....	18
Troubleshooting.....	19
Replacement Parts / Optional Accessories.....	20
Specifications	21
Safety / Listing Label.....	22
Ownership Record and Service Log	23

TESTING / LISTING

This appliance is tested and certified as safe for residential use by an internationally recognized testing and certification agency. The safety tests are conducted in accordance with American National Standards Institute (ANSI) requirements. The L30 BF-2 appliance is tested, certified, and listed by the CSA, AGA, CGA to ANSI Z21.88 - 1998 Vented Gas Fireplace Heaters and CSA 2.33 - 1998 Vented Gas Fireplace Heaters.

Approved Venting: This appliance may be vented with any listed class B chimney components installed in accordance with manufacturers instructions. See page 7.

PACKAGING LIST

This appliance is packaged with an accessory package, which contains the following:

- One - Installation and operation instructions manual.
- One - Warranty.
- One - Log set and embers.
- One - LP conversion kit.
- One - 9' electrical power cord.

USING THIS MANUAL

Please read and carefully follow all of the instructions found in this manual. Please pay special attention to the safety instructions provided in this manual. Following the Homeowner's Care and Operation Instructions included here will assure that you have many years of dependable and enjoyable service from your appliance.

CONGRATULATIONS ON THE PURCHASE OF YOUR NEW GAS APPLIANCE MANUFACTURED BY LENNOX HEARTH PRODUCTS.

When you purchased your new gas fired heater, you joined the ranks of thousands of concerned individuals whose answer to their home heating needs reflects their concern for aesthetics, efficiency and our environment. We extend our continued support to help you achieve the maximum benefit and enjoyment available from your new gas fired heater.

It is our goal at Lennox Hearth Products to provide you, our valued customer, with an appliance that will ensure you years of trouble free warmth and pleasure.

Thank you for selecting a Lennox Hearth Products gas fired heater as the answer to your home heating needs.

Sincerely,
All of us at Lennox Hearth Products

PLANNING YOUR INSTALLATION

LOCAL AND NATIONAL CODE REQUIREMENTS

The installation of these appliances must conform with local codes or, in the absence of local codes, with the National Fuel Gas Code, (for USA) NFPA 54 / ANSI Z223.1-latest edition.

Air Circulation Blower: The blower electrical power cord must be electrically grounded per local codes or per electrical codes:

In USA, NEC, ANSI / NFPA 70-1987.

In Canada, CSA C22.1

WARNING

Electrical Grounding Instructions. This appliance is equipped with a three-prong (grounding) plug for your protection against shock hazard and should be plugged directly into a properly grounded three-prong receptacle. Do not cut or remove the grounding prong from this plug.

WARNING: To avoid electrical shock, always ensure that the power cord is unplugged (i.e., there is no electrical power to the circulation blower) before handling the circulation blower or performing any work on the appliance.

High Altitude: Gas inputs shown are for elevations up to 4500 feet. For elevations above 4500 feet, contact your gas supplier or qualified service technician regarding the necessary deration of appliance (deration: replacing burner orifice with a smaller one to reduce input). Ratings must be reduced at the rate of 4 percent for each 1,000 feet above sea level. Refer to (for USA) NFPA 54 / ANSI Z223.1-latest edition for orifice resizing.

TOOL / EQUIPMENT LIST

The following tools and equipment are recommended for completing the partial assembly required when the appliance is installed:

- 7/16", 3/4" open end wrenchs.
- 1/4", 3/8" nut drivers.
- Pipe wrench.
- Phillips head screw driver.
- Flat head screwdriver.
- Pipe sealant compound.
- Leak test fluid"U" tube manometer or pressure gauge (0 - 16" (inches water column) H₂O scale.

GAS PRESSURE (WC = Water Column)

Minimum inlet gas supply pressure for the purpose of input adjustment:

Natural Gas - 4.5" WC min. – 7.0" WC max.
Propane (LP) - 11" WC min - 13.0" WC max.

Manifold gas supply pressure:

	LOW		HIGH
Natural Gas -	1.8" + / -.3" WC	(to)	3.5" + / -.3" WC
	25,000 BTU / hr		37,000 BTU / hr

Propane (LP)	6.6" + / -.3" WC	(to)	10" + / -.3" WC
	28,000 BTU / hr		35,000 BTU / hr

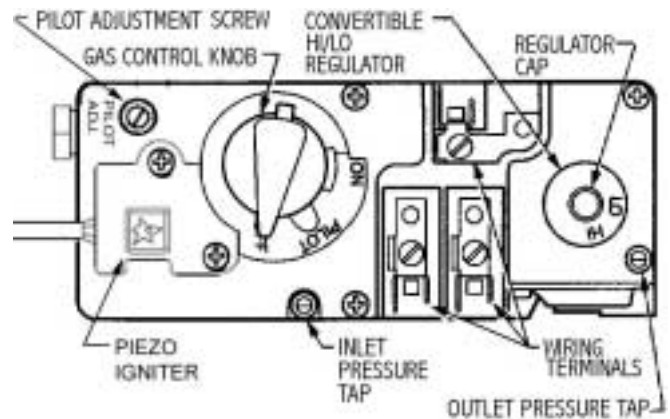
Note: " WC = Inches Water Column

PRESSURE TAPS

Gas Inlet Pressure Tap - Located on bottom left of gas valve.

Gas Outlet (manifold) pressure tap - Located on bottom right of gas valve.

Gas Control Valve



Pressure Testing: See *Pressure Testing* on page 8.

⚠ IMPORTANT

Appliance gas valves can be damaged if subjected to more than 1/2 psig (3.48 kPa) pressure. Therefore, when pressure testing the gas supply piping system in this pressure range, the appliance gas valve must be disconnected and isolated.

PLANNING YOUR INSTALLATION

QUESTIONS TO ASK THE LOCAL BUILDING OFFICIAL

Correct installation is critical and imperative for reducing fire hazards and perilous conditions that can arise when gas appliances function improperly. The appliance must be installed per manufacturers' instructions.

Gas appliance equipment and installations must conform to appropriate local codes and applicable state and federal requirements. Familiarity with these requirements before installation is essential. Important considerations to discuss with local building officials include:

1. Applicable codes (i.e. Uniform Mechanical Code, State or Regional Gas Codes, National Fuel Gas Code)?
2. Local amendments?
3. Recognized testing lab: CSA / AGA.
4. Is a permit required - cost?
5. In some states or municipalities, a licensed gas fitter or plumber may be required to install this appliance. Check with your local building official for requirements in your area (i.e. Is a license required for installation of gas supply line)?
6. Maximum amount of gas pipe without a pressure test - type of test required?
7. Are below grade penetrations of the gas line allowed?
8. Is concealed gas piping allowed?
9. Specific requirements of concealed fittings?
10. Is rigid pipe to appliance required?
11. Allowed piping materials?
12. Shut-off valve required within 4 feet of the firebox?
13. May the shut-off valve be concealed?
14. Rooms where the installation is not allowed?

In the absence of local codes, installation should conform to the National Fuel Gas Code, also known at ANSI Z223.1-NFPA 54.

PLANNING YOUR INSTALLATION

CLEARANCES TO COMBUSTIBLE MATERIALS

These appliances can be installed in most residential room configurations, parallel to a rear or adjacent wall, or in an alcove that allows for the minimum clearances to combustible surfaces. Your local building inspector should review your plans prior to installation.

When installing this appliance, provide adequate clearances around air openings and adequate clearances for purposes of servicing and proper operation.

As determined through the safety certification of this unit, a minimum clearance to combustible materials must be maintained around specific areas of the gas appliance. (See Figures 1, 2 and 3)

The clearances listed here are minimum distances and only apply in the configuration shown. Do not use clearances from one installation configuration with clearances from another to obtain closer clearances.

Top of appliance (min.) 36" (inches)
This includes any projections such as shelves, window sills, mantels, etc. above the appliance.

Back Wall 2" (inches)

Side Wall 12" (inches)

Corner (45° angle) 4" (inches)

stove corners to wall

Ceiling Minimum 65" (inches) from floor

Alcove Min. Height 65" (inches) from floor

Alcove Min. Width 54" (inches)

Alcove Max. Depth 24" (inches) from unit face.

The stove can not be placed deeper into an alcove than 24" from the stove face to alcove opening.

Floor 0 inches

FLOOR PROTECTION

When installed directly on carpeting, • tile or other combustible material other than wood flooring, the appliance shall be installed on a metal or wood panel extending the full width and depth of the appliance (♦ see note below).

Notes:

- Ceramic tile is non-combustible and does not require a wood or metal panel under the appliance.
- ♦ Models with a pedestal base where base dimensions exceed width and depth of stove body, qualify as the floor protection

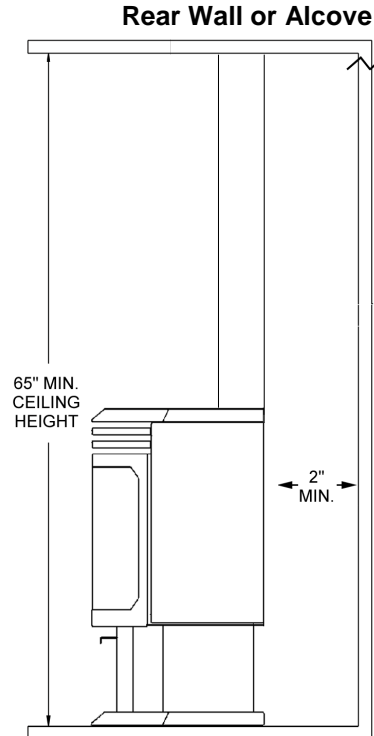


Fig. 1

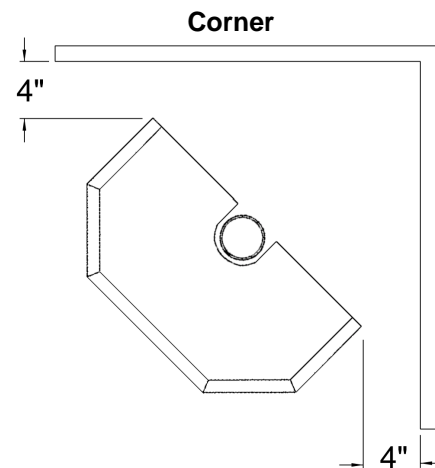


Fig. 2

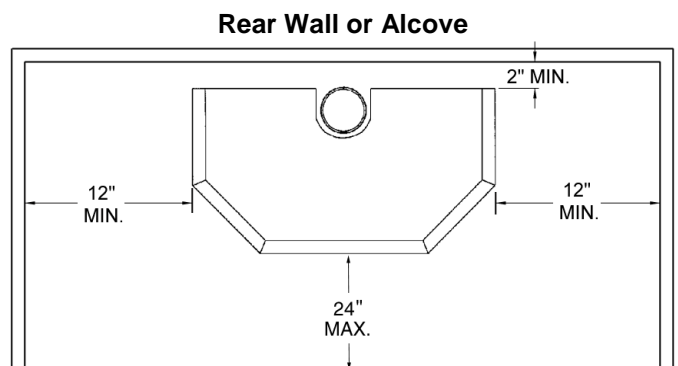
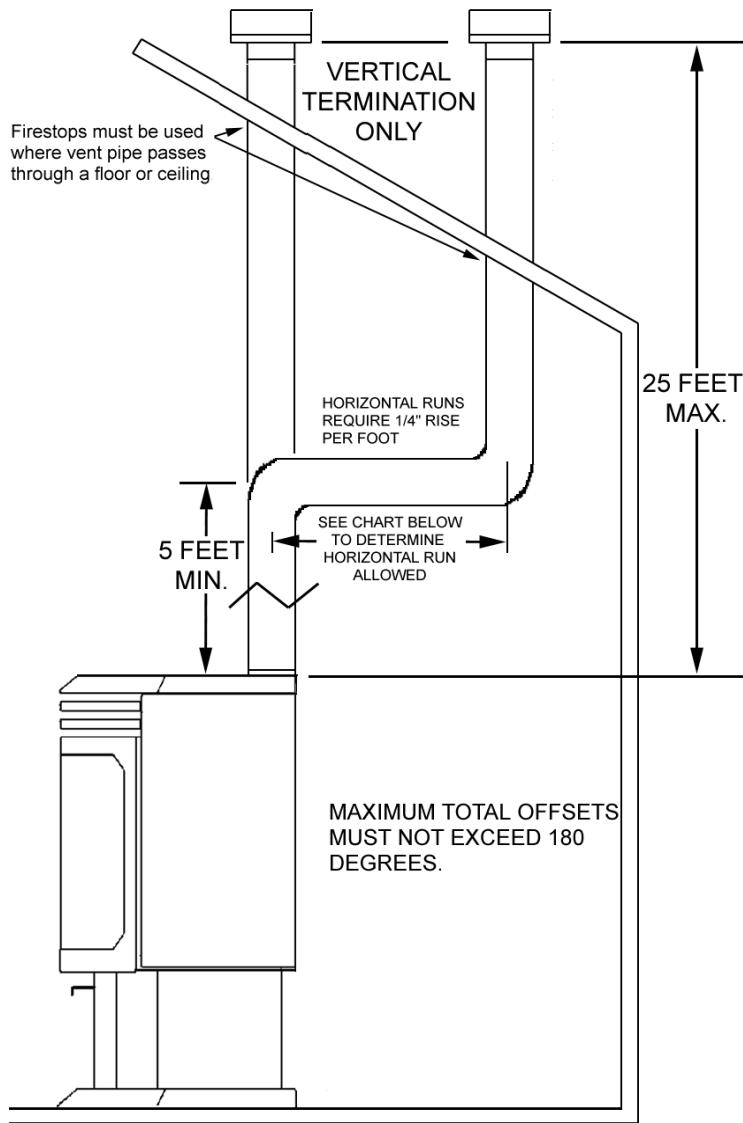


Fig. 3

INSTALLATION See Pipe Manufacturers clearances for Pipe Clearances Venting Requirements

EXAMPLES OF VENTING INSTALLATION APPLICATIONS

Model: L30 BF-2 (B-Vent) Venting Requirements
Approved for vertical termination only.



Venting Configuration Requirements:

A minimum of 5 feet vertical pipe is required to vent the appliance. Lengthy horizontal pipe runs require sufficient length of vertical pipe to deliver adequate draft. Use the table above as a guide in planning your installation. The use of multiple 45° or 90° elbows should be compensated by providing additional vertical pipe run.

This appliance has a 4" B-Vent flue collar and may be installed with listed B-Vent piping and components. Refer to the pipe manufacturer's installation instructions for specific requirements for their product. Maintain proper clearances to combustible materials as specified by the pipe manufacturer. Whenever vent pipe is run horizontally, maintain a minimum 1/4" rise per foot. Exterior B-Vent exhaust systems should be enclosed in a chase to avoid rapid cooling of exhaust gases in the vent. Such cooling could produce condensation of flue gases or exhaust gas spillage. The use of a chase is highly recommended in colder climates.

VERTICAL VENT TERMINATION REQUIREMENTS

The vent termination clearances above the high side of an angled roof is follows:

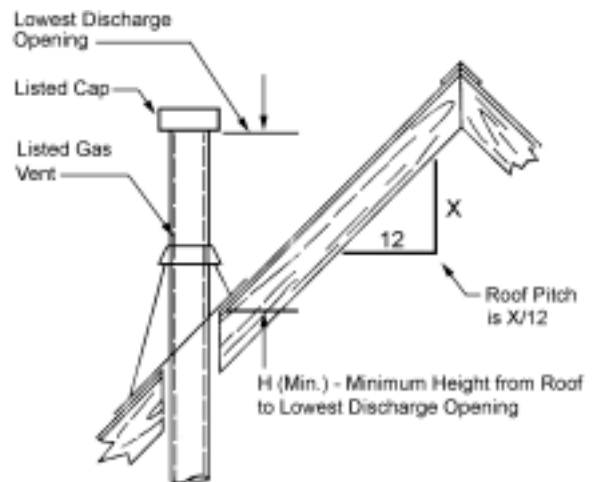
Ref. NFPA 54 / ANSI Z223.1, 7.6

Roof Pitch	Feet	Meters
Flat to 6/12	1.0	0.3
6/12 to 7/12	1.25	0.38
7/12 to 8/12	1.5	0.46
8/12 to 9/12	2.0	0.61
9/12 to 10/12	2.5	0.76
10/12 to 11/12	3.25	0.99
11/12 to 12/12	4.0	1.22
12/12 to 14/12	5.0	1.52
14/12 to 16/12	6.0	1.83
16/12 to 18/12	7.0	2.13
18/12 to 20/12	7.5	2.29
21/12 to 21/12	8.0	2.44

Maximum Horizontal Pipe Runs for Given Vertical Pipe Run (in feet)

Vertical run in feet	5'	6'	8'	10'	15'	20'
Maximum horizontal run in feet	4'	6'	8'	10'	15'	20'

Note: Maximum allowable horizontal pipe run is 20 feet.



INSTALLATION

GAS SUPPLY HOOKUP

If using pipe other than black iron pipe see NFPA 54-National Fire Protection Association / ANSI Z223.1-American National Standards Institute; and local code for specific requirements for the type of pipe used. Alternative gas piping systems such as CSST may be used subject to local code and proper sizing.

⚠ CAUTION

To avoid pipe compounds from entering system, apply compounds only to male pipe threads. Do not apply compound to the first two threads.

This appliance is equipped with a flexible gas line and fitting for a gas supply line connection. Connection can be made using either the 3/8" NPT male fitting or, by removing the fitting, to the flex line 3/8" female flare. The flex line can be routed to the gas supply through either the pedestal bottom or through the rear pedestal cover depending upon the orientation of the supply line. Some areas may have certain restrictions against the use of flexible gas lines. Check local codes. The gas appliance control valve has a 3/8" NPT female type inlet for the gas supply line, if hard plumbing is required.

If the gas supply will be routed to the appliance from the rear, the flexible gas line for hookup is readily accessible. If the gas supply will be routed to the appliance through the flooring, remove the rear panel. Redirect the flexible gas line through the large hole in the center of the pedestal base for gas supply connection.

A gas supply line must be run to the appliance by a qualified professional. The plumbing of the gas line must comply with National Standards; NFPA 54-National Fire Protection Association / ANSI Z223.1-American National Standards Institute; and local code.

Gas piping must not run in or through air ducts, clothes chutes, chimneys or gas vents, dumb waiters or elevator shafts.

Piping should be sloped 1 / 4" per 15 feet (6mm per 4.6m) upward toward the meter from the appliance. The piping must be supported at proper intervals every 8 to 10 ft. (2.4m to 3.1m) using suitable hangers or straps.

The gas supply line must be purged of air before it is connected to the appliance.

An accessible, approved shut-off valve must be installed upstream of any connector so that the appliance may be isolated to allow service, removal, and replacement (within six feet of the appliance per NFPA 54, or twelve inches in some codes). A shut-off valve is provided with this appliance.

IMPORTANT: In case emergency shut-off is required, shut off main manual gas valve and disconnect main power to appliance. These devices should be properly labeled by the installer.

PRESSURE TESTING:

- The appliance main gas valve must be disconnected from the gas supply piping system during any pressure testing of that system at test pressures in excess of *1/2 psi (3.5 kPa).

- The appliance must be isolated from the gas supply piping system by closing its individual manual shut-off valve during any pressure testing of the gas supply piping system at test pressures equal to or less than *1/2 psi (3.5 kPa).

Make the connection to the gas supply line using the correct fitting required to the shut-off valve.

Install a drip leg where condensates might accumulate. Sediment traps, like drips and collection tees, are required to be installed. Traps collect moisture and intercept and hold foreign objects which might block orifices and valves. A drip leg should be installed in vertical pipe runs to the appliance.

Supply Line Size Requirements

The proper gas line diameter must be used to run from the supply regulator (at the gas company meter) to the appliance. Never use galvanized or plastic pipe. Refer to the table below for suggested sizing of the gas supply line.

**Suggested Sizing of
Schedule 40 Pipe Supply Line**

Schedule 40 Pipe Length (Feet)	Schedule 40 Pipe Inside Diameter (Inches)	
	Natural Gas	LP. Gas
0-10	1/2	3/8
10-40	1/2	1/2
40-100	1/2	1/2
100-150	3/4	1/2
150-200	3/4	1/2

Use an approved pipe sealant compound for NPT fittings. After all pipe connections are made, apply normal gas line pressure: 7.0" W.C. for natural gas; 11.0" W.C. for LP gas (propane) and use an approved leak detection solution to test for the tightness of each pipe connection joint.

⚠ IMPORTANT

Compounds used on threaded joints of gas piping must be resistant to the actions of liquified petroleum gases.

IMPORTANT: All connections must be checked for leaks with a leak detector or soapy water solution. Never check for gas leakage with an open flame!

⚠ CAUTION

Some soaps used for leak detection are corrosive to certain metals. Carefully rinse piping thoroughly after leak test has been completed. Do not use matches, candles, flame or other sources of ignition to check for gas leaks.

* **Note:** 1/2 psi = 14" WC (inches water column).

INSTALLATION

DOOR OPERATION

After setup of the logs and embers is complete, the glass door must be closed. The glass door is mounted on hinges at the left side of the firebox and is secured in the closed position by two draw latches mounted on the right side of the firebox. The latch tension is preset at the factory. Over time, adjustment of the latch tension may be necessary to maintain a tight door seal. This adjustment can be made by spinning the latching rod in the rod guide. Care should be exercised to not adjust the tension too high. **Caution: Never operate the appliance with the glass door open.**

If glass door removal is required for replacement or maintenance, the door can be removed. Do not attempt to remove or replace broken glass in the door assembly. Contact your Lennox dealer for glass replacement. To Remove Door:

1. Remove the glass door assembly from appliance as follows:
 - a. Open the right and left side panels (held closed by magnets in the front. The panels hinge to back).



- b. Open the two draw latches mounted on the right side of the door by pulling them forward. Swing open door. See picture in left column of this page showing their location.
- c. With the door open, lift the door straight up and off the hinge pins. Set door aside.



INSTALLATION

GAS APPLIANCE FINAL ASSEMBLY

After the appliance has been properly installed and all gas connections have been made and tested, you can now install the log set. See *Door Assembly* on page 11 for door removal instructions.

INSTALLING LOG SET:

WARNING: If logs are not installed according to the directions in this manual, flame impingement and improper combustion could occur and result in excessive production of carbon monoxide (CO), a colorless, odorless, toxic gas.

This appliance is equipped with a five-piece log set. Carefully install the logs into the firebox as shown on this page. All logs should fit down onto pins and mounts provided. This will ensure a proper flame and safe combustion.

1. Carefully place the largest log in the rear of the firebox as shown in the following illustration.



2. Install the front log as shown in the following illustration.



3. Install the right top twig as shown in the following illustration.



4. Install the center top twig as shown in the following illustration.



5. Install the left top twig and embers as shown in the following illustration.



Glowing Embers

One package of ember material has been included with this gas appliance. You will not need to use the entire bag (additional ember material is provided for your future maintenance needs).

IMPORTANT: The quantity and placement of the ember material can affect stove performance therefore it is very important that it be placed as shown in the picture on instruction # 5 and shown below.

Proper Placement of Ember Material: Unpackage and divide the fine ember material (mineral wool) into thumbnail sized fluffy pieces. Distribute the pieces over the top of the front burner ports and filling the area in front of and beneath the forward log and running the full length of the log.



INSTALLATION

INSTALLATION CHECK LIST

Read and understand these instructions before using appliance. Go through this installation checklist:

- ❑ Ensure that the log set is properly installed. Use caution when handling the logs. See page 10.
- ❑ Reinstall the door frame assembly. See *Door Operation* on page 9.

WARNING: Do not operate appliance with the glass front removed, cracked or broken. Replacement of the glass should be done by a qualified technician.

- ❑ Ensure venting termination cap is unobstructed.
- ❑ Check to see that wiring is correct and is enclosed inside the stove pedestal base (See page 18).
- ❑ Verify that the gas line has been purged of air.
- ❑ Test all connections for leaks (factory and field) with a leak detector or soapy water solution. If you smell gas, do not attempt to light this appliance. Follow safety instructions on the front cover of this manual.
- ❑ Burner Air Shutter opening to be:

Natural Gas – 1/2 open, Propane 3/4 open.

Some adjustment from standard may be necessary for the desired flame characteristics (see *Burner Flame Appearance*, page 17). To adjust air shutter:

1. Remove burner from firebox by removing the 2 nuts as shown in the following picture. Then lift burner up and out of firebox.



2. Adjust gap as shown in following picture.



3. Reinstall burner. Do not overtighten nuts (finger tight only).

- ❑ Light the appliance following the instructions on page 13 (*Care and Operation*). Relight the main burner in both the HI, and LO positions, and verify proper burner ignition and operation.

NOTE: Upon the initial firing of your new gas stove, you will notice a strong odor. This will last up to two hours. It is recommended to open the windows to allow fresh air to circulate into the room.

WARNING: If the pilot does not light after 1 minute, wait at least 5 minutes for gas to clear before attempting again.

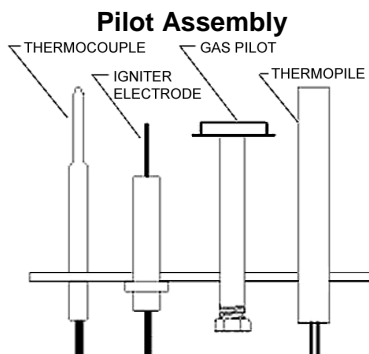
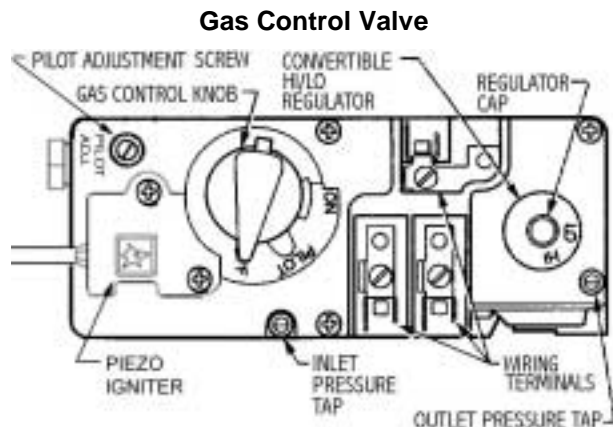
- ❑ With burner lit, check to make sure that the inlet gas and manifold pressures are correct (see *Gas Pressure*, page 4). Verify that the pilot and main burner ignition and operation are correct.

CARE AND OPERATION




FOR YOUR SAFETY READ BEFORE LIGHTING

WARNING: If you do not follow these instructions exactly, a fire or explosion may result causing property damage, personal injury or loss of life.


- A. This appliance has a pilot which must be lit. When lighting the pilot, follow these instructions exactly.
- B. BEFORE LIGHTING smell all around the appliance area for gas. Be sure to smell next to the floor because some gas is heavier than air and will settle on the floor.
- WHAT TO DO IF YOU SMELL GAS:
- Do not try to light any appliance.
 - Do not touch any electric switch; do not use any phone in your building.
 - Immediately call your gas supplier from a neighbor's phone. Follow the gas supplier's instructions.
 - If you cannot reach your gas supplier, call the fire department.
- C. Use only your hand to push in or turn the gas control knob. Never use tools. If the knob will not push in or turn by hand, don't try to repair it, call a qualified service technician. Force or attempted repair may result in a fire or explosion.
- D. Do not use this appliance if any part has been under water. Immediately call a qualified service technician to inspect the appliance and to replace any part of the control system and any gas control which has been under water.



LIGHTING AND SHUTDOWN INSTRUCTIONS

1. STOP! Read the safety information on this page or on label (on appliance).
2. Turn off all electrical power to the appliance (unplug blower power cord). Make sure the burner ON/OFF switch is in the OFF position.
3. To gain access to the gas controls, swing the control access door open. The control access door is located directly under the window.
4. Push in gas control knob slightly and turn clockwise  to "OFF."
NOTE: Knob cannot be turned from "PILOT" to "OFF" unless knob is pushed in slightly. Do not force.
5. Wait five (5) minutes to clear out any gas. Then smell for gas, including near the floor. If you smell gas, STOP! Follow "B" in the safety information above on this label. If you don't smell gas, go to the next step.
6. Visually locate the pilot located in the center of the firebox beneath the rear ceramic log.
7. Turn knob on gas control counterclockwise  to "PILOT."
8. This appliance contains a spark ignition system (piezo igniter), which is used to light the pilot. Push in the gas control knob all the way and hold it in. Immediately press the button on the piezo igniter located to the left of the gas control knob. The spark produced by the piezo igniter should light the pilot. Continue to hold the control knob in for about one (1) minute after the pilot is lit. Release the gas control knob and it will pop back up. Pilot should remain lit.
 - If it goes out, repeat steps 4 through 8.
 - If the knob does not pop up when released, stop and immediately call your service technician or gas supplier.
 - If the pilot will not stay lit after 3 or 4 tries, turn the gas control knob to "OFF" and call your service technician or gas supplier.
9. Turn gas control counterclockwise  to "ON." Use rocker switch, located either on the control panel or the exterior side panel, to operate main burner. Adjust variable pressure dial (RB Regulator / Flame Height Control) to set burner flame to desired heat output.
10. Swing the control access door closed.
11. Turn on electrical power to the appliance (plug in blower power cord. See page 13, *Circulation Blower Operation*.)

TO TURN OFF GAS TO THE APPLIANCE

1. Turn off all electric power to the appliance if service is to be performed.
2. To gain access to the gas controls, swing the control access door open. The control access door is located directly under the window.
3. Push in gas control knob slightly and turn clockwise  to "OFF."
NOTE: Knob cannot be turned from "PILOT" to "OFF" unless knob is pushed in slightly. Do not force.
4. Swing the control access door closed.

CARE AND OPERATION

“BREAK-IN” PERIOD

The finish on this appliance is a high temperature paint that requires time and temperature to completely cure. The curing process will take 2 or 3 burns (heat up and cool down periods). We recommend that you ventilate the house during the initial burns. The paint emits non-toxic odors during this process.

KEEP YOUR HOUSE WELL VENTILATED DURING THE CURING PROCESS TO PREVENT ACTIVATION OF YOUR HOME SMOKE DETECTOR.

Do not turn on a blower during the break-in period. Do not place anything on the stove surface until the paint is completely cured. Do not attempt to repaint the stove until the paint is completely cured. If the surface later becomes stained or marred, it may be lightly sanded and touched up with spray paint (See *Small Area Paint Touch-Up*, page 16). Paint is available at your local authorized Lennox Hearth Products dealer. Never attempt to paint a hot stove.

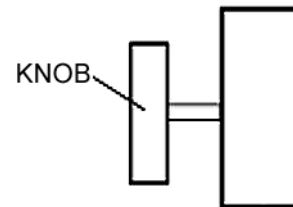
CIRCULATION BLOWER OPERATION

The speed of the circulation blower is controlled using the speed control rheostat (see following illustration) on the left hand side of the control panel. The blower system is designed with a variable speed control allowing an infinite range of blower settings to meet the customer's needs. With the rotary switch turned fully CCW \curvearrowleft , the blower is off. Turning the switch CW \curvearrowright will activate the blower at its maximum speed. Further rotation of the switch in the CW direction will reduce the speed of the blower. At approximately 270° of CW \curvearrowright rotation, the switch provides a minimum setting for blower speed.

Thermostatic feature: With the control switch in any “ON” position, the circulation blower is designed to automatically begin operation approximately 12 minutes after lighting the main burner. The blower will turn off approximately 15 minutes after the main burner is shut-off.

VARIABLE SPEED CONTROL FOR AIR CIRCULATION BLOWER

SIDE VIEW SHOWN



PROPANE CONVERSION

PROPANE CONVERSION PROCEDURE (Only required if Propane gas is used)

This appliance is designed to operate on natural gas, or propane (LP). It is factory set for use with natural gas and requires field conversion for use with propane. The use of other fuels or combination of fuels will degrade the performance of this system and may be dangerous.

The conversion kit provided with this appliance contains components required to convert this appliance from use with natural gas to use with propane (LP) Gas. All of the components in the propane conversion kit must be installed in order for the appliance to operate safely on propane.

Installation Tools / Supplies

7/16" Open end wrench

Small standard screwdriver

Pipe sealant compound (*must be rated for use with LPG gas*)

Parts List

- Propane RB Regulator conversion screw (Red indicates LP gas)
- Burner Orifice (*If you are at an elevation above 4500 feet do not use the orifice provided in this kit. Contact your gas supplier to obtain a smaller orifice*)
- Pilot Orifice
- Label, Converted to (LP) Propane – Affix to valve
- Label, Converted to (LP) Propane – Affix to stove body

Avertissement: cet équipement de conversion sera installé par une agence qualifiée de service conformément aux instructions du fabricant et toutes exigences et codes applicables de l'autorisés avoir la juridiction. Si l'information dans cette instruction n'est pas suivie exactement, un feu, explosion ou production de protoxyde de carbone peut résulter le dommages causer de propriété, perte ou blessure personnelle de vie. L'agence qualifiée de service est esponsable de l'installation propre de cet équipement. L'installation n'est pas propre et complète jusqu'à l'opération de l'appareil converti est chèque suivant les critères établis dans les instructions de propriétaire provisionnées avec l'équipement.

IN CANADA:

The conversion shall be carried out in accordance with the requirements of the provincial authorities having jurisdiction and in accordance with the requirements of the CAN1-B149.1 and .2 Installation code.

La conversion devra être effectuée conformément aux recommandations des autorités provinciales ayant juridiction et conformément aux exigences du code d'installation CAN1-B149.1 ET.2.

⚠ WARNING

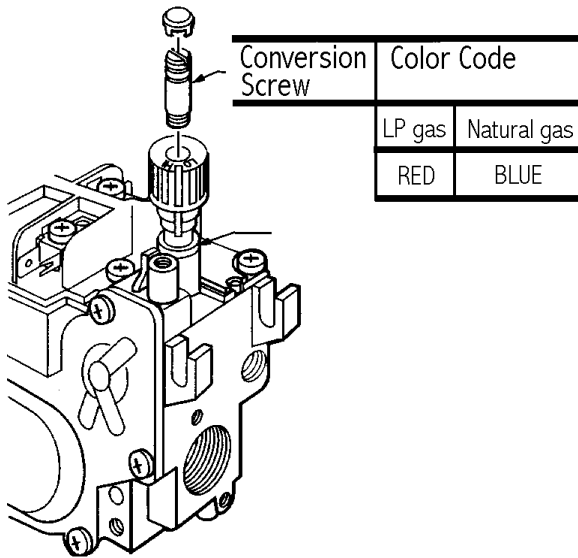
Conversion components must be installed by a qualified service agency in accordance with these instructions and all applicable codes and requirements of the authority having jurisdiction. If the information in these instructions is not followed exactly, a fire, explosion or production of carbon monoxide may result, causing property damage, personal injury or loss of life. The qualified service agency is responsible for the proper installation of this kit. The installation is not proper and complete until the operation of the converted appliance is checked as specified in these instructions.

PROPANE Conversion Procedure

1. Turn off Gas - Turn gas control knob to the off position, and shut off the gas supply to the valve. If necessary, disconnect appliance from gas supply.
2. Caution: The gas supply shall be shut off prior to disconnecting the electrical power, before proceeding with the conversion. Unplug blower power cord.
3. If the installation is at an elevation below 4500 feet, proceed to step 4. If you are at an elevation above 4500 feet, do not use the orifice provided in this kit. Contact your gas supplier to obtain a smaller orifice).
4. Burner Orifice Installation Procedure:
 - a. Remove glass door.
 - b. Remove logs, burner cover, and burner.
 - c. Use a 7/16" open-end wrench to remove gas burner orifice.
 - d. Replace the burner orifice with the appropriate burner orifice (see instruction #3).
 - e. Use pipe sealing compound rated for LP gas. BE VERY CAREFUL THAT THE PIPE COMPOUND DOES NOT GET INSIDE OF THE ORIFICE (THIS COULD RESULT IN PLUGGING OF THE ORIFICE). Using a 7/16" open-end wrench to tighten orifice - DO NOT OVER TIGHTEN (finger tight, then 1/2 turn maximum). *Make sure the orifice is inserted fully into the primary air shutter fixed opening.
5. Adjust primary air shutter. Burner Air Shutter opening to be: Natural Gas – 1/2 open, Propane 3/4 open. Some adjustment from standard may be necessary for the desired flame characteristics (see *Burner Flame Appearance*, page 15).
6. Replace Pilot Orifice - Using a 7/16" open-end wrench, remove the pilot burner hood. Replace the pilot orifice with the one supplied in the propane conversion kit. Then, reinstall the pilot burner hood. Ensure that the mark on the pilot hood is lined up with the mark on the pilot mounting plate.

PROPANE CONVERSION

7. High / Low Pressure Regulator Installation Procedure:
 - a. Remove regulator cap and conversion screw (see following illustration).
 - b. Install the new conversion screw (Red = Propane LP gas, Blue = Natural Gas). Ensure that the conversion screw is finger tight. Install the new regulator cap.
 - c. Affix conversion label on gas control valve body where it can easily be seen.



8. Reinstall burner cover, logs, ember wool / ceramic rocks and glass front.
9. Purging Air from Supply Line:

This should only be done by a qualified and licensed (where applicable) professional. Check with your local building official for qualifications required to perform this procedure.

10. Purge air from the gas line (see #9 above), then connect propane gas line to the appliance. Connect the fuel line to the insert inlet (1/2" NPT fitting) using the fitting required.
11. Perform leak Test.

CAUTION
After this procedure is complete with appliance installed and connected to gas line, recheck the pilot connection and manifold fittings for leaks, using soapy water or a gas leak detector.
12. Lighting Procedure-See page 12.

Note: If the gas control knob is turned to the "off" position after pilot has been lit, the appliance must be allowed to cool for at least five minutes before pilot flame can be relit.

13. Apply the propane conversion label to the rating label.

The Appliance is ready for use with propane fuel as its only fuel.

REFERENCE INFORMATION

See pages 4, 21 and 22 of this manual for the following reference information:

Manifold Gas Pressure
Inlet Gas Pressure
Input Ratings

BURNER FLAME APPEARANCE

A periodic visual check of burner flames should be performed. The burner flame should appear as indicated on page 17 - *Burner Flame Appearance*.

MAINTENANCE

Always Turn Off Gas Control Valve Before Cleaning. Annual Maintenance Should Only Be Performed By A Qualified Service Technician:

LOG SET

Removing & Cleaning Logs - Carefully remove the logs (removing top logs, then lifting front log out, then rear log). Use care when handling the fiber logs, as they become quite fragile after curing. Use a small soft-bristled brush (e.g., a nylon paint brush) to remove soot, dust or debris that may have accumulated on the burner or log set. Remove the logs and burner, and clean them outside the home in a location with plenty of fresh air ventilation. Avoid breathing fine particulates of dust that may be generated. See page 10, *Installing Log Set* for instructions on reinstalling logs.

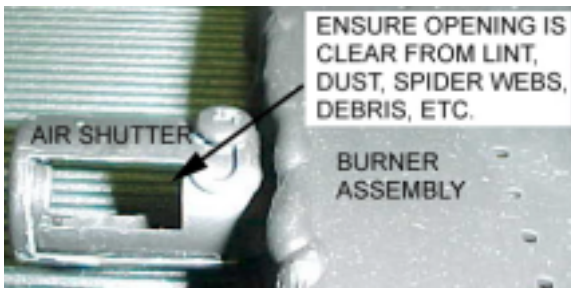
Replacing Logs - If logs become damaged by accident or improper handling and need replacement, use only the proper replacement logs from manufacturer, which can be purchased from your local dealer. See page 20.

CLEANING BURNER

With the logs removed, vacuum out any foreign matter (lint, carbon etc.) on the burner. Be sure the burner ports are "open."

CLEANING VALVE / AIR VENTURI

Clean all lint and dust build-up around the control valve and air shutter on the venturi. Inspect and clean with a brush or wire the inlet of the venturi for any spider webs or lint accumulation.



INSPECT WIRING / CAUTIONS:

- 1) Label all wires prior to disconnection when servicing controls. Wiring errors can cause improper and dangerous operation.
- 2) Verify proper operation after servicing.
- 3) Inspect and clean all wire connections. Ensure that there is no melting or damage from rodents. Inspection should include:
 - Terminals at the valve
 - On / Off switch
 - Wall Thermostat / Remote Control (optional kits)

VENTING SYSTEM

A periodic examination of the venting system must be performed to ensure that the flow of combustion air is not obstructed. We recommend that you have your gas appliance checked yearly by your independent Lennox dealer.

CLEAN EXTERNAL SURFACES

External surfaces should be kept clean and dust removed from air inlets to the appliance. The flow of combustion and ventilation air must not be obstructed. The appliance must be kept clear and free from combustible materials, gasoline and other flammable vapors and liquids.

SMALL AREA PAINT TOUCH-UP

The stove body is painted with a quality high-temperature stove paint. Use only model TSPK-C Stove Paint, Catalog # 19L92. Do not touch-up this appliance with any other paint.

Using one small piece of 320 grit sand paper and lightly sand the blemish so that the edges are "feathered" or smooth to the touch between the painted and bare surfaces. Do not let the sand paper gum up with paint, as this will cause scratches on the metal surface. If there are any scratches, use 600 grit sandpaper instead. Mask off surfaces you do not want painted. Paint lightly over the bare surface first as this will act as an undercoat. Then paint over a larger area in smooth even strokes to blend.

See *Break-In Period* on page 13 for information on curing the paint.

CLEANING GLASS

The window on the gas appliance is made from a clear ceramic material and may be cleaned when cool with any non-abrasive product designed for use on glass windows. **Do not use abrasive cleaners on glass.** The viewing glass should be cleaned periodically. Exterior glass may be cleaned with a glass cleaner as desired. Interior glass - use soap and water, or commercial glass cleaner recommended for stove glass.

Note: Each time the appliance is lit, it may cause condensation and fog on the glass. This condensation and fog will disappear in a few minutes.

CLEANING BLOWER INTAKE

The blower air intake requires cleaning at least once a year to remove lint, dust, etc. If there are pets in the dwelling, the intake should be cleaned at least twice a year.

MAINTENANCE

Always Turn Off Gas Control Valve Before Cleaning. Annual Maintenance Should Only Be Performed By A Qualified Service Technician:

PERIODIC CHECK OF PILOT AND BURNER FLAMES

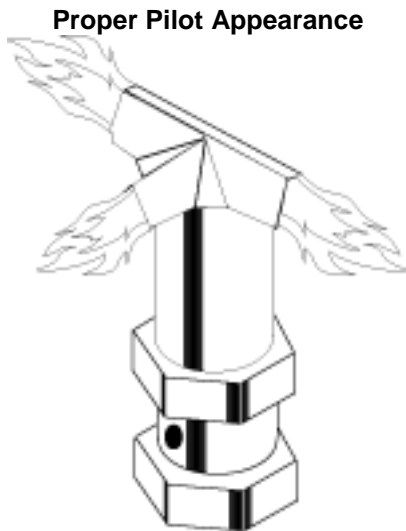
Check the operation of the pilot and cycle the burner. Visually check the flame of the burner making sure the flames are steady; not lifting or floating. The flame color should be blue at the burner with yellow body and tops.

Cycle unit a minimum of 2 times

- Watch for smooth burner ignition and shut down.
- Burner: Check flame patterns. Ensure that burner flame appearance does not vary greatly from diagram shown on this page.
- Pilot: Ensure pilot flame appearance does not vary greatly from diagram shown below.

PILOT FLAME APPEARANCE

A proper pilot flame should consist of torch-like flame issuing from the pilot hood as shown in illustration below.



BURNER FLAME APPEARANCE

A periodic visual check of the pilot and burner flames should be performed. If either the pilot or burner flame do not show proper appearance or behavior, as outlined here, consult a qualified gas appliance technician.



A proper burner flame is shown above. The burner flame should have the following characteristics after initial start-up (let appliance burn 15 to 20 minutes prior to accessing flame appearance):

- Excessive impingement (contact of flame with logs) should not occur.
- Rear burner flames should have yellowish tips; no soot should form at burner flame tips.
- Flames should not raise off of burner (no "lifting" of flame).

Air Shutter Adjustment

The flame can be adjusted to give the proper flame appearance and to prevent sooting on the window or logs by adjusting the position of the primary air shutter (located at the rear center inlet to the burner). The air shutter should be positioned approximately 1/2 open for Natural Gas and approximately 3/4 open for LP Gas. . See page 10, *Burner Air Shutter*.

NOTE: During periods of high natural gas demand, the gas supplier may add "make-up gases" to the pipeline. This addition will change the composition of the supply gas, and may cause a change in burner flame appearance. You may also notice soot formation on the logs and viewing windows. Check with your gas supplier if you suspect a change in the composition of your gas supply.

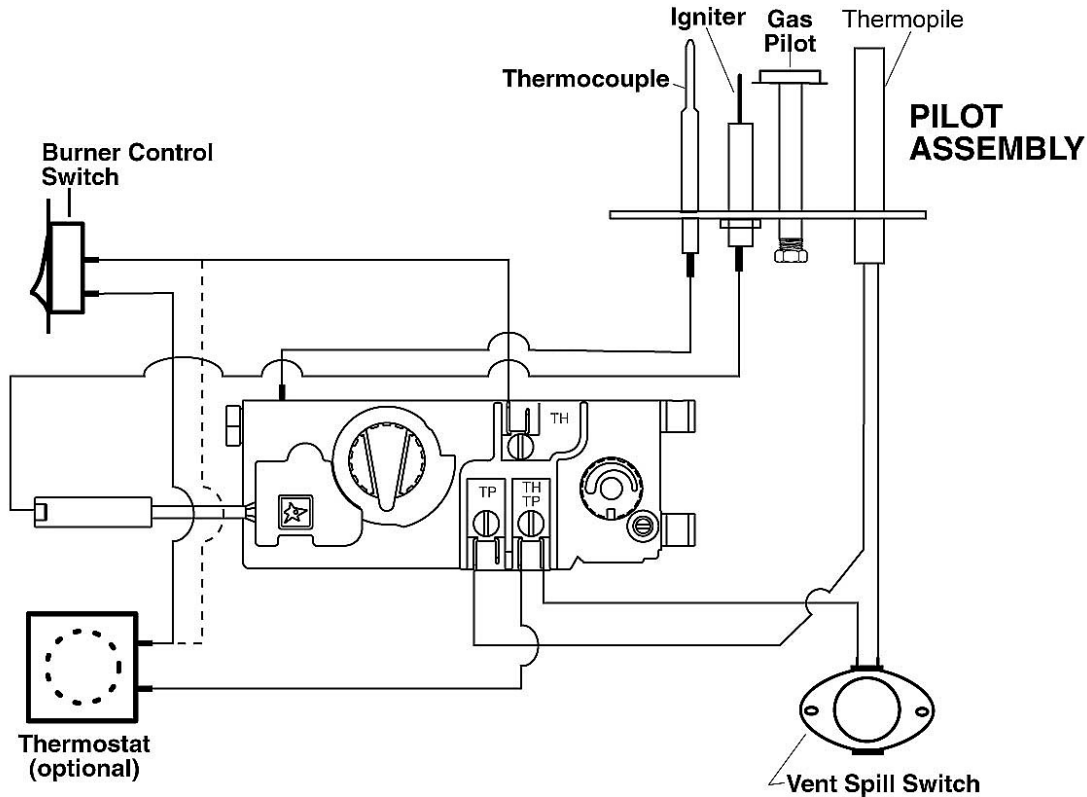
WIRING DIAGRAMS

GAS CONTROL AND SAFETY SYSTEM WIRING DIAGRAM

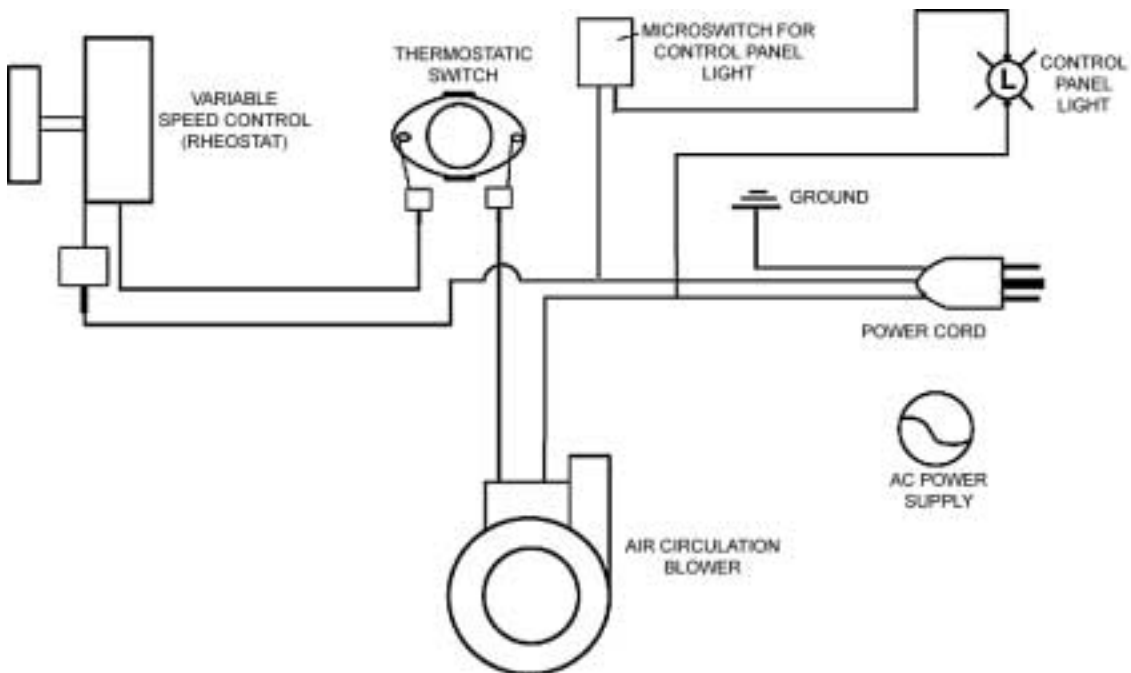
CAUTION: Label all wiring prior to disconnection when servicing controls. Wiring errors can cause improper and dangerous operation. Verify proper operation after servicing.

The gas control wiring diagram shown here should be used by service technicians for guidance when troubleshooting problems with the pilot safety (millivolt) system or burner remote control system or when locating system components for repair / replacement. Note: If replacement of any of the original wire is necessary, use 105°C thermoplastic wiring.

GAS CONTROL WIRING DIAGRAM



CIRCULATING BLOWER WIRING DIAGRAM



TROUBLESHOOTING *Qualified Technicians Only*

PROBLEM	CAUSE(S)	SOLUTIONS
1) Pilot will not light, and Piezo Igniter does not produce a heavy blue spark.	a. Electrode wire (at Piezo Igniter) not pushed completely on. b. Piezo igniter is defective	<ul style="list-style-type: none"> • Make sure connections are solid. • Replace piezo igniter.
2) Pilot will not light, but Piezo Igniter produces a heavy blue spark.	a. Incorrect lighting procedure. b. No gas to appliance due to shut valves or disconnected gas lines.	<ul style="list-style-type: none"> • Carefully follow the lighting / operating instructions found in the appliance of this owner's manual. • Check for multiple gas shut-offs; check gas supply lines.
3) Pilot will not stay lit.	a. Thermocouple is not firmly connected to control valve. b. Pilot flame is not directed to top of thermocouple. c. Thermocouple is defective. Make sure connection is solid.	<ul style="list-style-type: none"> • Ensure thermocouple is fully inserted into pilot assembly. • Replace thermocouple.
4) Pilot flame stays lit, but main burner will not light.	a. Burner control switch (on control panel) is in "OFF" position; or thermostat (if installed) is turned off or temperature setting is too low. b. Electrical wiring is damaged or poorly connected c. One of the following components may be defective: burner control switch, thermostat, vent spill switch, or thermopile.	<ul style="list-style-type: none"> • Position the burner control switch to "ON"; or adjust the thermostat. Refer to manufacturer's instructions for thermostat. • Refer to Control and Safety Wiring Diagram (page 18) and check electrical connections. • Refer to Control and Safety Systems Wiring Diagram (page 18). Electrically bypass components one at a time and replace defective item.
5) Main burner stays lit for up to 10 minutes and then shuts off, pilot flame remains lit.	a. Vent is blocked; flue gas is "spilling", which activates the spill switch and shuts down the appliance. b. The house is negatively pressurized resulting in spill switch activation.	<ul style="list-style-type: none"> • Examine venting system for blockage. Remove any blockage. • Open a window to see if the problem is corrected.
6) Smell of gas	a. Loose fittings may be allowing gas to leak out.	<ul style="list-style-type: none"> • Check all joints for leakage: pilot assembly, gas supply system, main burner assembly, pilot and burner adjustment screws. Use a proper leak check solution. WARNING: Never use an open flame to check for leaks.
7) A thin coating of black soot forms on the window. NOTE: See page 16, <i>Cleaning Glass</i> .	a. Burner primary air inlet is restricted or blocked. b. Flames make contact with logs or other surfaces. c. Improper venting.	<ul style="list-style-type: none"> • Be sure all openings (fresh air inlets) in stove are free from dust and debris. Re-check these areas periodically. • Make sure ceramic logs are in their correct positions. • Check for flue blockage, disconnected flue, improper installation. Make appropriate corrections.
8) A white coating forms on windows, logs, and / or inside walls of firebox.	a. Residues / impurities being burned off.	<ul style="list-style-type: none"> • Follow cleaning guidelines outlined in the MAINTENANCE section of this manual.
9) Circulation blower makes a humming sound, but there is no circulation air.	a. Impeller blades in circulation blower are dirty. b. Circulation blower is defective.	<ul style="list-style-type: none"> • Disconnect electrical power to circulation blower, access blower and clean impeller blades as outlined in the MAINTENANCE section of this manual. • Replace blower.

REFERENCE INFORMATION FOR QUALIFIED TECHNICIAN:

Thermopile / Thermocouple Operation

- ◆ Thermopile: Millivolt production should be a minimum of 325 MV with pilot only.
- ◆ Thermocouple: Millivolt production should be a minimum of 14 MV with pilot only.

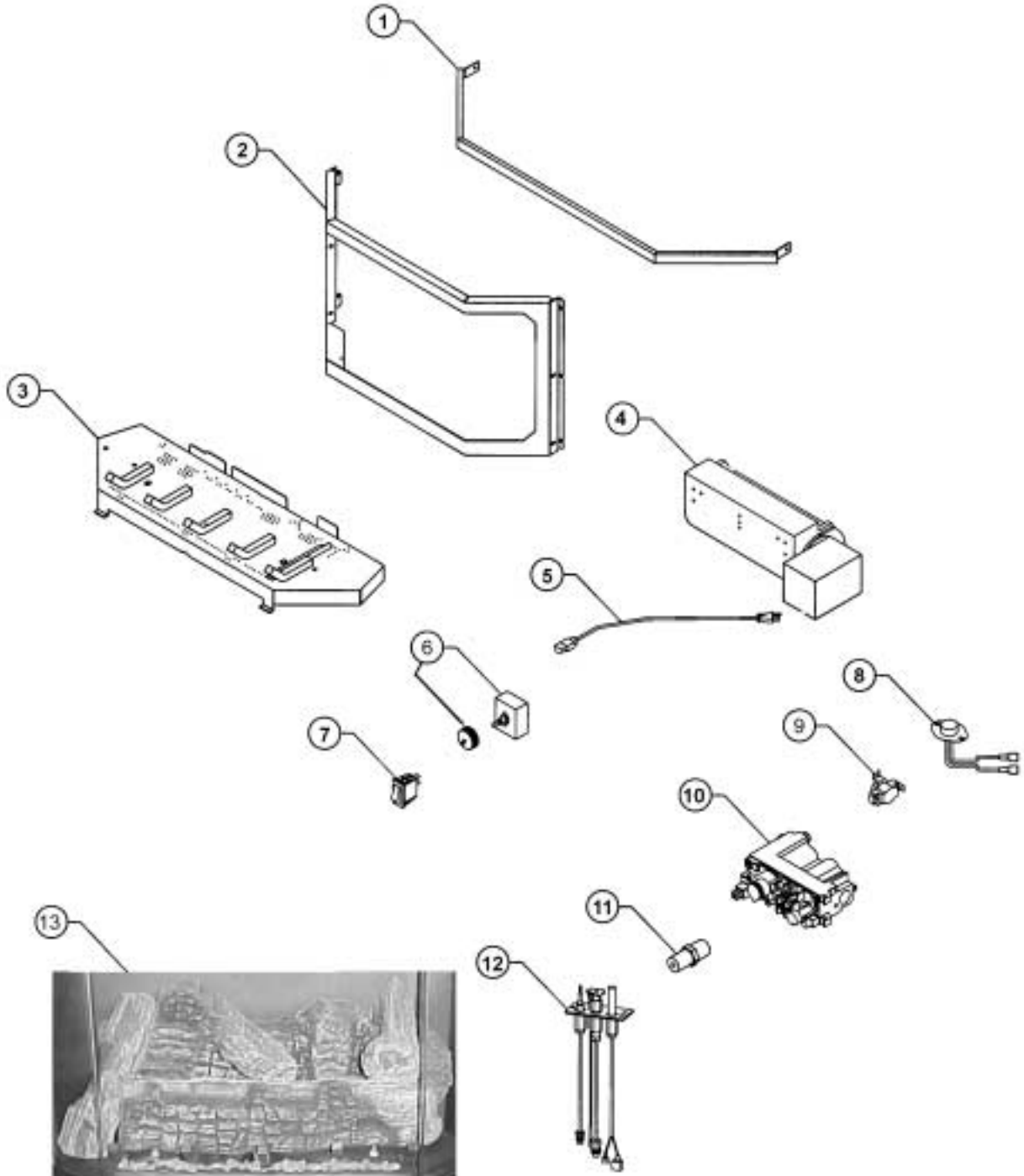
Drop out rate

- ◆ TP 50-60 MV
- ◆ TP 1 1/2-2 Min. (3 max.) if longer, replace thermopile.

REPLACEMENT PARTS Model L30-2 BF

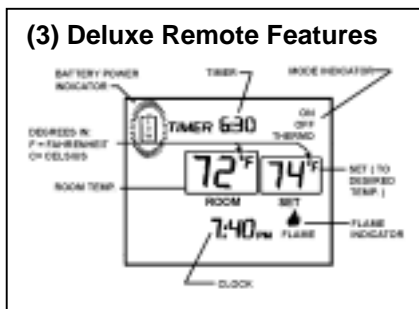
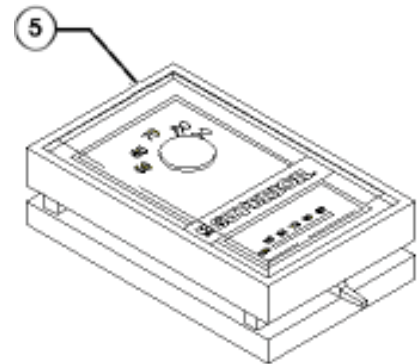
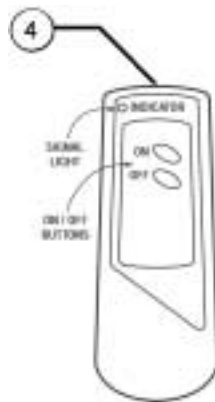
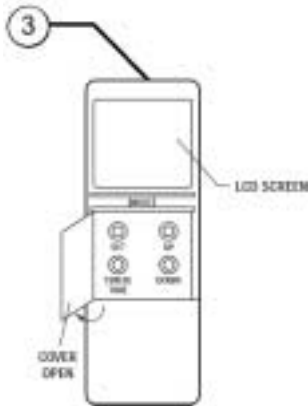
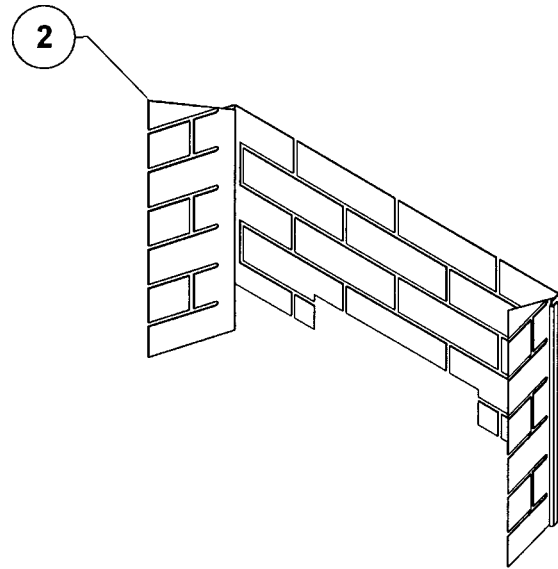
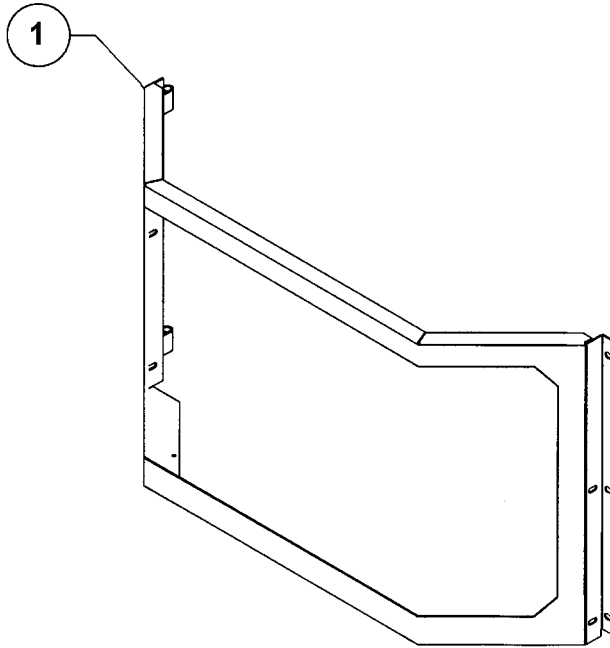
Item #	Description	Catalog #
1	Trim, Decorative	52L04
2	Window Frame, Charcoal	17M63
3	Burner Assembly	17M61
4	Blower, Air Circulating	52L19
5	Power Cord (blower)	52L17
6	Rheostat w / Knob (speed control for blower)	52L03
7	On / Off Switch, Burner	52L13
8	Spill Switch	52L18

Item #	Description	Catalog #
9	Thermal Fan Switch	52L12
10	Control Valve NG (with LP Conv. Kit)	64L98
11	(0-4500') Orifice, #31, NG	52L27
11	(0-4500') Orifice, #50, LPG	52L08
11	(4500') Orifice, #32, NG	52L06
11	(4500') Orifice, #51, LPG	52L09
12	Pilot Assembly NG	52L15
13	Log Set	17M59



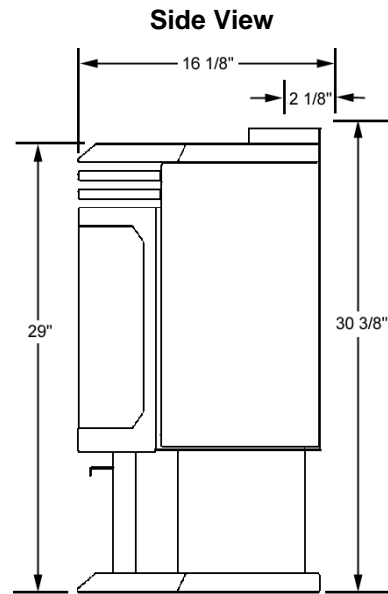
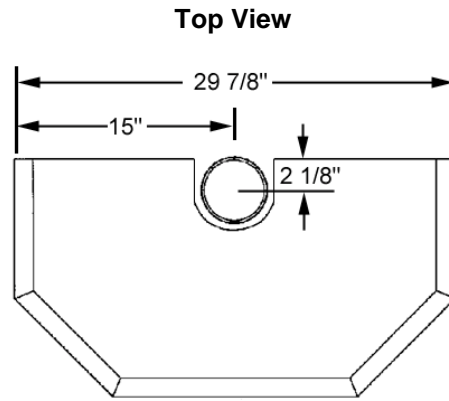
OPTIONAL ACCESSORIES

Item #	Description	Catalog #	Model
1	Door Kit, L30 BF-2, Gold	14M09	DK3B-G
2	Brickaded Interior Kit, L30	14M06	BRK-L30
3	Deluxe Remote Control (Thermostatically controlled)	98K99	RC-STAT
4	Remote Control (Standard On / Off)	26N04	RC
5	Wall Thermostat Kit	89L36	WTK
6	Touch-up Spray Paint Kit, Charcoal	19L92	TSPK-C



SPECIFICATIONS: Model L30 BF-2

Approx. Sq. Ft.	Heating Capacity ~1500 sq. ft.
Flue Size	4" - Top Vent
Height Overall	29"
Height to Flue Outlet	30 3/8"
Width	29 7/8"
Depth	16 1/8"
Fuel	Natural Gas (standard) (or) LP Gas (convertible). Gas inlet 3/8" NPT-Male / Flex Line (or) remove flex, 3/8" NPT-Female Flare.
Performance Features	Variable Flame Control. High Efficiency Heat Exchanger. Natural Convection & Radiant Heat. Standing Pilot / Operates During Power Outages. Remote Control & Wall Thermostat Capable.
Technical Features	Honeywell Combination Gas Control Valve, Millivolt - VS8520E. Safety Shut Down Sensor (Spill Switch). Pan Burner with Tuned Ports. Radiant & Fan Assisted Convection Heat.
Safety Test	Tested and certified by CSA to ANSI standards. Z21.88 – (1998) • CSA 2.33 - (1998). Vented Gas Fireplace Heater .
Heat Input	25,000 to 37,000 BTU's (Nat. Gas) 28,000 to 35,000 BTU's (Propane)
Ship Weight	200 lb.'s



~ Square feet heating capacities are approximations only. They will vary depending upon level of insulation, climate, house design, ceiling height, ambient outside temperatures and how stove is operated.

Dimensions shown are approximations only (+ / - 1/4")

SPECIFICATIONS				
GAS TYPE	NATURAL GAS	PROPANE (LP)	CLEARANCES TO COMBUSTIBLES	
Orifice Size	#31 -.120	#50-.070"	Back Wall Min.	2 In. / 51 mm
Minimum Supply Pressure	4.5" WC	10.5" WC	Side Wall Min.	12 In. / 305 mm
Maximum Supply Pressure	10.5" WC	13.0" WC	Corner (45° angle)	
HIGH SETTING			<i>stove corner to wall, min.</i>	4 In. / 102 mm
Manifold Pressure	3.5" WC	10.0" WC	Ceiling Height Minimum	65 In. / 1651 mm
Input BTU / HR	37,000	35,000	Alcove Min. Height	65 In. / 1651 mm
LOW SETTING			Alcove Min. width	54 In. / 1372 mm
Mainfold Pressure	1.8" WC	6.6" WC	Alcove - Max. Depth into	
Input BTU / HR	25,000	28,000	<i>stove face to alcove opening</i>	24 In. / 610 mm
♦ Altitude - U.S.A. 0-4,500 Ft. (0-1372M) No derating ♦ Altitude - Canada 0-4,500 Ft. (0-1372M) No derating For installation higher than altitudes shown above, reorifice per Gas Codes.			* With the orifice, manifold pressure and input ratings shown above.	
This Appliance is equipped at the factory for the use with Natural Gas or Propane (LP). Appliances using propane must be field converted using the LP Conversion Kit supplied with appliance.				

SAFETY / LISTING LABEL: Model L30 BF-2

Model Name: L30 BF-2

Vented Gas Fireplace Heater
Foyer au gaz à évacuation.

VENTED GAS FIREPLACE HEATER -
NOT FOR USE WITH SOLID FUEL.

FOYER AU GAZ À ÉVACUATION -
NE PAS UTILISER AVEC UN COMBUSTIBLE SOLIDE.

Tested to: ANSI Z21.88-(1998)
CSA 2.33 (1998) Vented Gas Fireplace Heaters



L30 BF-2

Serial Number
No. de Serle

Gas/Gaz Type
Natural
Propane
Controls: VS8520

Natural Gas Model: L30 BF-2
Input (0-4500') 37,000 Btu/hr
Output 26,640 Btu/hr
Minimum Input 25,000 Btu/hr
Orifice 31 dms
Manifold Pressure 3.5" w.c./c.e.
Min. Supply Pressure 4.5" w.c./c.e.

Natural Gaz Modele: L30 BF-2
Alimentation (0-1370m)
Production
Pulssance minimum
Grandeur de l'injecteur
Pression a la tubular d'alimentation
Pression d'alimentation minimum

Propane Gas Model: L30 BF-2
Input (0-4500') 35,000 Btu/hr
Output 25,900 Btu/hr
Minimum Input 28,000 Btu/hr
Orifice 50 dms
Manifold Pressure 10" w.c./c.e.
Min. Supply Pressure 11" w.c./c.e.

Propane Gaz Modele: L30 BF-2
Alimentation (0-1370m)
Production
Pulssance minimum
Grandeur de l'injecteur
Pression a la tubular d'alimentation
Pression d'alimentation minimum

Electrical Rating 115V; 60 HZ
less than 12 A.
Power Consumption 100W

Alimentation Electrique
Consommation d' energie

Minimum Clearances to Combustibles
Sidewall 12"/305mm
Backwall 2"/51mm
Adjacent Wall Corner 4"/102mm
Ceiling 36"/914mm
Vent Pipe to Wall Surfaces : Sides 1"/25.4mm

Degagements Minimum Des Materiaux
Mur Lateral
Parole arriere
Coln de parole adjacent
Plafond
Entre le conduit de ventilation et les surfaces murales

For use with Natural Gas and L.P. Gas (Propane). A conversion kit, as supplied by the manufacturer, shall be used to convert this room heater to the alternative fuel.

Pour utilisation avec le gaz naturel et le propane. Une trousse de conversion fournie par le fabricant doit etre utilisee pour passer d'un combustible a l'autre.

This vented gas fireplace heater is not for use with air filters.

Ne pas utiliser de filtre à air avec ce foyer au gaz à vacuation

For use with glass doors certified with the appliance only.

Pour utilisation uniquement avec les portes en verre certifies avec l'appareil.

Manufactured by Lennox Hearth Products, Burlington, WA

60020330 IR

LENNOX[®]

HEARTH PRODUCTS
1110 West Taft Avenue
Orange, CA 92865