



SHERWOOD INDUSTRIES IS AN ENVIRONMENTALLY RESPONSIBLE COMPANY
THIS MANUAL IS PRINTED ON RECYCLED PAPER



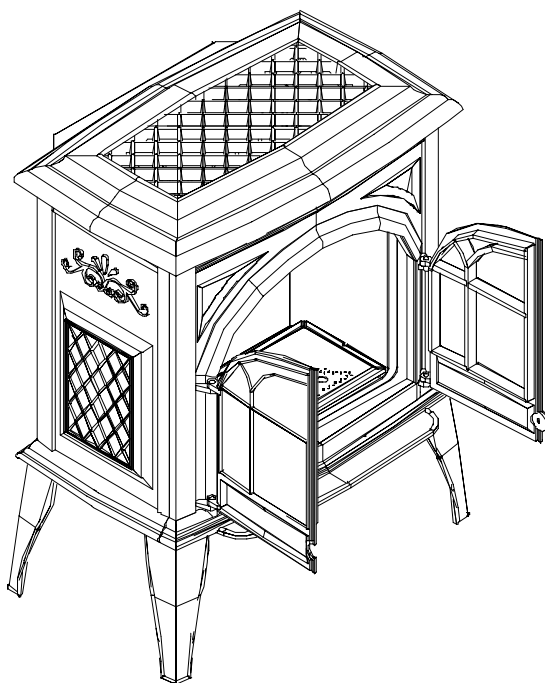
ASCOT

By: SHERWOOD INDUSTRIES LTD

OWNERS MANUAL

PLEASE KEEP THESE INSTRUCTIONS FOR FUTURE REFERENCE

Warnock Hersey



This appliance may be installed in an after market permanently located, manufactured (mobile) home, where not prohibited by local codes.

This appliance is only for use with the type of gas indicated on the rating plate. This appliance is not convertible for use with other gases, unless a certified kit is used.

WHAT TO DO IF YOU SMELL GAS

- Open windows/Extinguish any open flame
- Do not try to light any appliance.
- Do not touch any electrical switch; do not use any phone in your building.
- Immediately call your gas supplier from a neighbor's phone. Follow the gas supplier's instructions.
- If you cannot reach your gas supplier, call the fire department.

WARNING

If the information in this manual is not followed exactly, a fire or explosion may result causing property damage, personal injury or loss of life. Installation and service must be performed by a qualified installer, service agency or the gas supplier.

FOR YOUR SAFETY

Do not store or use gasoline or other Flammable vapors and liquids in the vicinity of this or any other appliance.

SAFETY PRECAUTIONS

FOR SAFE INSTALLATION AND OPERATION OF YOUR "ENVIROGAS" HEATER, PLEASE, CAREFULLY READ THE FOLLOWING INFORMATION:

- All "ENVIROGAS" gas-fired appliances must be installed in accordance with these instructions. Carefully read all the instructions in this manual first. Consult the building authority having jurisdiction to determine the need for a permit prior to commencing the installation.
- **NOTE** Failure to follow these instructions could cause a malfunction of the fireplace which could result in death, serious bodily injury, and/or property damage.
- Failure to follow these instructions may also void your fire insurance and/or warranty.

GENERAL

- Installation and repair should be done by a qualified service person. The appliance should be inspected before use and at least annually by a qualified service person. More frequent cleaning may be required due to excessive lint from carpeting, bedding material, etc. It is imperative that control compartments, burners and circulating air passageways of the appliance be kept clean.
- Due to high temperatures the appliance should be located out of high traffic areas and away from furniture and draperies.
Children and adults should be alerted to hazards of high surface temperatures and should stay away to avoid burns or clothing ignition.
- Young children should be carefully supervised when they are in the same room as the appliance.
- Clothing or other flammable material should not be placed on or near the appliance.

FOR YOUR SAFETY

- Installation and service must be performed by a qualified installer, service agency or the gas supplier.
- This installation must conform with local codes or, in the absence of local codes with the current CAN/CGA -B149 installation code in Canada or the National Fuel Gas Code ANSI Z223.1.2 in the USA.

- To prevent injury do not allow anyone who is unfamiliar with the operation to use the stove.

To prevent injury, if the pilot or pilot and burners have gone out on their own, open the glass door and wait 5 minutes to air out before attempting to re-light stove.

- Always keep the area around these appliances clear of combustible material, gasoline or other flammable vapors and liquids.
- These appliances should not be used as a drying rack for clothing or for hanging Christmas stockings or decorations.
- Due to the paint curing on the stove a faint odor and slight smoking will likely be noticed when the stove is first used. Open a window until the slight smoking stops.

Always connect this gas stove to a vent system and vent to the outside of the building envelope. Never vent to another room or inside a building. Make sure you use the vent pipe that is specified. Make sure that the vent is properly sized and is of adequate height to provide the proper draft. Inspect the venting system annually for blockage and any signs of deterioration.

WARNING: Failure to position the parts in accordance with these diagrams or failure to use only parts specifically approved with this appliance may result in property damage or personal injury.
WARNING: Do not operate with the glass front removed, cracked or broken. Replacement of the glass should be done by a licensed or qualified service person.

- Never use solid fuels such as wood, paper, cardboard, coal, or any other flammable liquids etc., in this appliance.
- Do not use this heater if any part has been under water. Immediately call a qualified service technician to inspect the heater and to replace any part of the control system and any gas control which has been under water.
- Do not abuse glass by striking or slamming door shut

TABLE OF CONTENTS

SECTION		PAGE
1.	Code Approvals	3
2.	Dimensions and Clearances to Combustibles	4
3.	Venting	5-9
4.	Electrical Requirements	10
5.	Gas Line Connection and Testing	11
6.	Installation of Log Sets and Embers	12
7.	Operating Instructions	13
8.	Routine Maintenance and Service	14
9.	Fuel Conversions	15
10.	Trouble Shooting	16
11.	Warranty	17
12.	Parts list	18
13.	Installation Data Sheet	19

CODES AND APPROVALS

DIRECT VENT Type is identified by the suffix **DV**. This type of appliance draws all of it's air for combustion from outside of the dwelling through specially designed vent pipe system.

**** REAR VENT DV ONLY**** **Certified for installation from 0-4500 FT (1372 M)**

- These appliances have been tested by INTERTEK TESTING SERVICES (**WH**) and found to comply with the established standards VENTED GAS FIREPLACE HEATER in CANADA and the USA as follows:

VENTED GAS FIREPLACE HEATER (ASCOT DV) (NG / LPG)
 TESTED TO: ANSI Z21.88a.2000 CSA 2.33a.2000 VENTED GAS FIREPLACE HEATER
 CAN/CGA 2.17-M91 Gas Fired Appliances For High Altitudes.

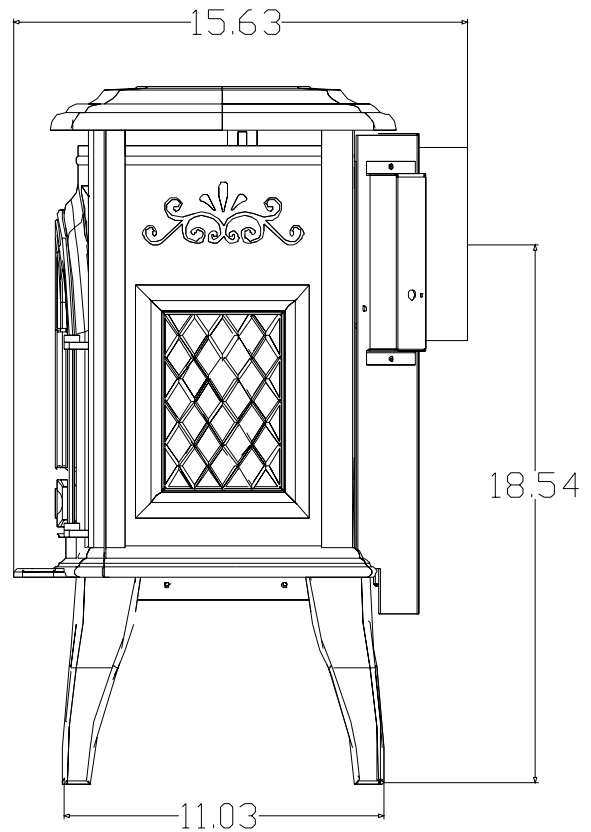
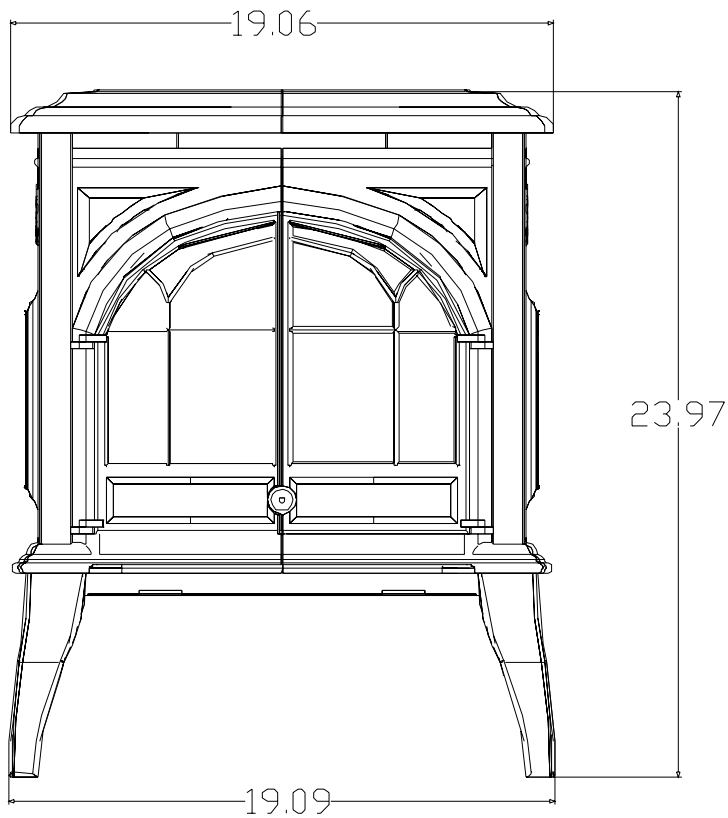
ENVIROGAS *ASCOT*

- Has been certified for use with either natural or propane gases. (see rating label.)
- Is not for use with solid fuels.
- Is approved for bedroom or bed sitting room. (Canada must install an approved wall thermostat)
- Must be installed in accordance with local codes.
 If none exist use current installation code CAN/CGA B149 in Canada or ANSI Z223.1/NFPA 54 in the USA.
- Must be properly connected to a venting system and not connected to a chimney flue serving a separate solid-fuel burning appliance.

SIMPSON DURAVENT PARTS

<u>Number</u>	<u>Description</u>	<u>Number</u>	<u>Description</u>
908B	6" Pipe Length, Black	943S	Flashing, 7/12 to 12/12 Roof Pitch
907B	9" Pipe Length, Black	953	Storm Collar
906 (B)	12" Pipe Length, (Black)	963	Ceiling Fire stop
904 (B)	24" Pipe Length, (Black)	988	Wall Strap
903 (B)	36" Pipe Length, (Black)	984	Horizontal Square Termination
902 (B)	48" Pipe Length, (Black)	985	High Wind Horizontal Termination
911 (B)	11" to 14-5/8" Pipe , Adjustable, Black	980	Vertical Termination
945 (B)	45° Elbow, (Black)	991	High Wind Vertical Termination
990 (B)	90° Elbow, (Black)	950	Vinyl Siding Standoff
940	Round Support / Wall Thimble Cover	942	Wall Thimble
941	Cathedral Ceiling Support Box	971	Horizontal Termination Kit A
943	Flashing, 0/12 to 6/12 Roof Pitch		

DIMENSIONS AND CLEARANCES TO COMBUSTIBLES



UNIT DIMENSIONS

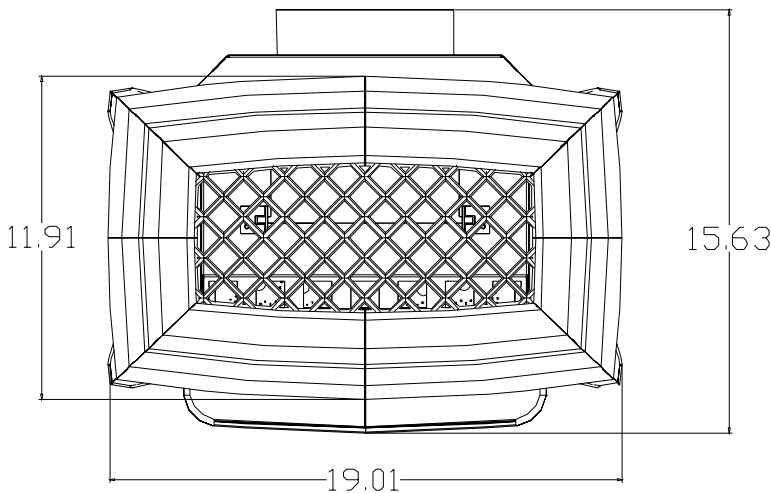
Height	23.97 inches	(60.88 cm)
Width	19.06 inches	(48.41 cm)
Depth	15.63 inches	(39.7 cm)
Center to flue	18.54 inches	(47.09 cm)

CLEARANCES TO COMBUSTIBLES

Sidewall to unit	10 inches	(25.4 cm)
Backwall to unit	2.5 inches	(6.35 cm)
Corner to unit	2.5 inches	(6.35 cm)
Cieling	60 inches above floor	(152.4 cm)
Floor	0 inches,	

MUST HAVE HEARTH PAD IF INSTALLED ON A CARPETTED SURFACE

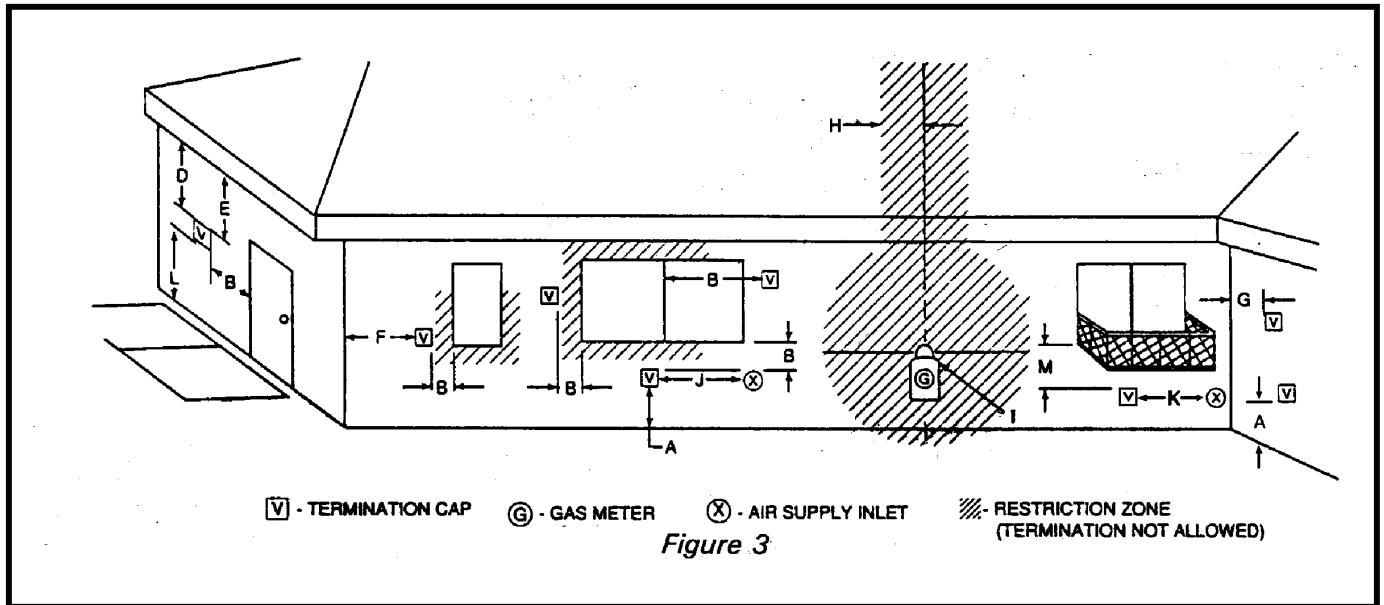
<u>ALCOVE;</u>	Width 48 inches	(121.9 cm)
	Depth 24 inches	(60.96 cm)
	Height 60 inches	(152.4 cm)



VENTING

WARNING: Operation of this heater when not connected to a properly installed and maintained venting system or tampering with the vent safety shutoff system can result in carbon monoxide (CO) poisoning and possible death.

VENT TERMINAL CLEARANCES



- A= Clearance above grade, verandah, porch, deck, or balcony [*12 inches (30 cm) minimum]
- B= Clearance to window or door that may be opened
[*12 inches (30 cm) minimum]
- C= Clearance to permanently closed window [minimum 12 inches (30 cm) recommended to prevent condensation on window]
- D= Vertical clearance to ventilated soffit located above the terminal within a horizontal distance of 2 feet (60 cm) from the center-line of the terminal (24 inches (60 cm) minimum)
- E= Clearance to unventilated soffit
[18 inches (45 cm) minimum]
- F= Clearance to outside corner [12 inches minimum]
- G= Clearance to inside corner [12 inches minimum]
- H=* Not to be installed above a meter/regulator assembly within 3 feet (90 cm) horizontally from the center-line of the regulator
- I= Clearance to service regulator vent outlet
[*6 feet (1.8m) minimum]
- J= Clearance to non-mechanical air supply inlet to building or the combustion air inlet to any other appliance
[12 inches (30 cm) minimum]
- K= Clearance to a mechanical air supply inlet
[*6 feet (1.8m) minimum]
- L=*** Clearance above paved side-walk or paved driveway located on public property
[*7 feet (2.1m) minimum]
- M= Clearance under verandah, porch, deck, or balcony [*24 inches (60 cm) minimum **]

*** A vent shall not terminate directly above a sidewalk or paved driveway, which is located between two single family dwellings and serves both dwelling

** Only permitted if verandah, porch, deck, or balcony is fully open on a minimum of 2 sides beneath the floor
As specified in CGA B149 Installation Codes (1991) Note: Local Codes or Regulations may require different clearances

NOTE: Venting terminals shall not be recessed into walls or siding.

These models have been tested and certified for use with **SIMPSON DURAVENT DIRECT VENT TYPE "GS" PIPE FOR GAS STOVES. SECURITY CHIMNEYS "SECURE VENT DIRECT VENT SYSTEM"** Kits are available for horizontal venting. It is recommended that a bead of RTV High Temperature Silicone be applied to each outer vent joint and milpac to each inner joint before installation.

When planning your installation, it will be necessary to select the proper length of vent pipe for your particular requirements. It is important to note when passing through a wall, the maximum allowable wall thickness is 10-inches (254 mm), 1 1/2" inches clearance to combustibles must be maintained.

HORIZONTAL INSTALLATION

STEP 1. Set the appliance in the desired location. Check to determine if wall studs are in the way when the venting system is attached. If this is the case, you may want to adjust the location of the appliance.

STEP 2. Direct vent pipe and fittings are designed with special twist-lock connections. Assemble the desired combination of black pipe and elbows to the appliance adapter with pipe seams oriented towards the wall or floor, as much out of view as possible.

Place a bead of Mil-Pac on the outer edge of the inner exhaust pipe (non-flared end). Place a bead of high temperature silicone on the male edge of the outer pipe. Push the pipe sections completely together, then twist-lock one section clockwise approximately one-quarter turn, until the two sections are fully locked. The female locking lugs will not be visible from the outside, on black pipe. They may be located by examining the inside of the female ends as shown in FIG-10.

NOTE:

(1) Twist-lock procedure: four indentations, located on the female end of the pipes and fittings, are designed to slide straight onto the male ends of adjacent pipes and fittings, by orienting the four pipe indentations so they match and slide into the four entry slots on the male end.

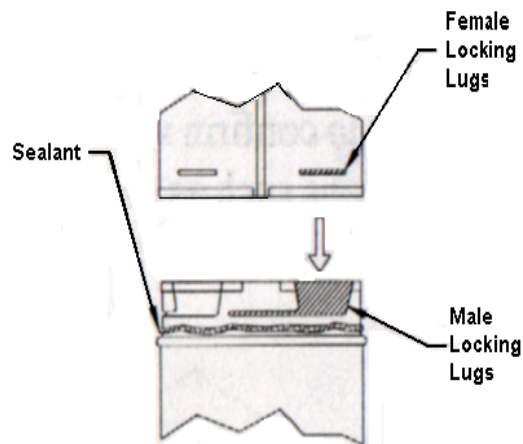


FIG.10

STEP 3. With the pipe attached to the stove into the correct location, mark the wall for a 10 inch x 10 inch square hole. The

center of the square hole should match the centerline of the horizontal pipe. Cut and frame the 10-inch x 10-inch hole in the exterior wall where the vent will be terminated. If the wall being penetrated is constructed of non-combustible material i.e. masonry or concrete, a 7-inch hole is acceptable.

STEP 4. Position the horizontal vent termination in the center of the 10-inch square hole, and attach to the exterior wall with the four screws provided. Before attaching the Vent Termination to the exterior wall, run a bead of non-hardening mastic around the edges, so as to make a seal between the termination and the wall. The arrow on the vent termination should be pointing up, insure that the proper clearances to combustible materials are maintained.

STEP 5. Before connecting the horizontal run of the vent pipe to the vent termination, slide the black decorative wall thimble cover over the vent pipe.

STEP 6. Slide the appliance and vent assembly towards the wall, carefully inserting the vent pipe into the cap assembly. It is important that the vent pipe extend into the vent cap a sufficient distance with a minimum of 1 1/4 inch overlap. Secure the connection between the vent cap pipe and the vent cap by attaching the two sheet metal straps extending from the vent cap assembly into the outer wall of the vent pipe. Use the two sheet metal screws provided to connect the straps to the vent pipe. Bend any remaining portion of the sheet metal straps back towards the vent cap, so the decorative wall thimble will conceal it.

STEP 7. Slide the decorative wall thimble up to the wall surface and attach with the screws provided. Apply decorative brass or chrome trim if desired.

NOTES: (1) The four wood screws provided should be replaced with the appropriate fasteners for stucco, brick, concrete, or other types of siding.

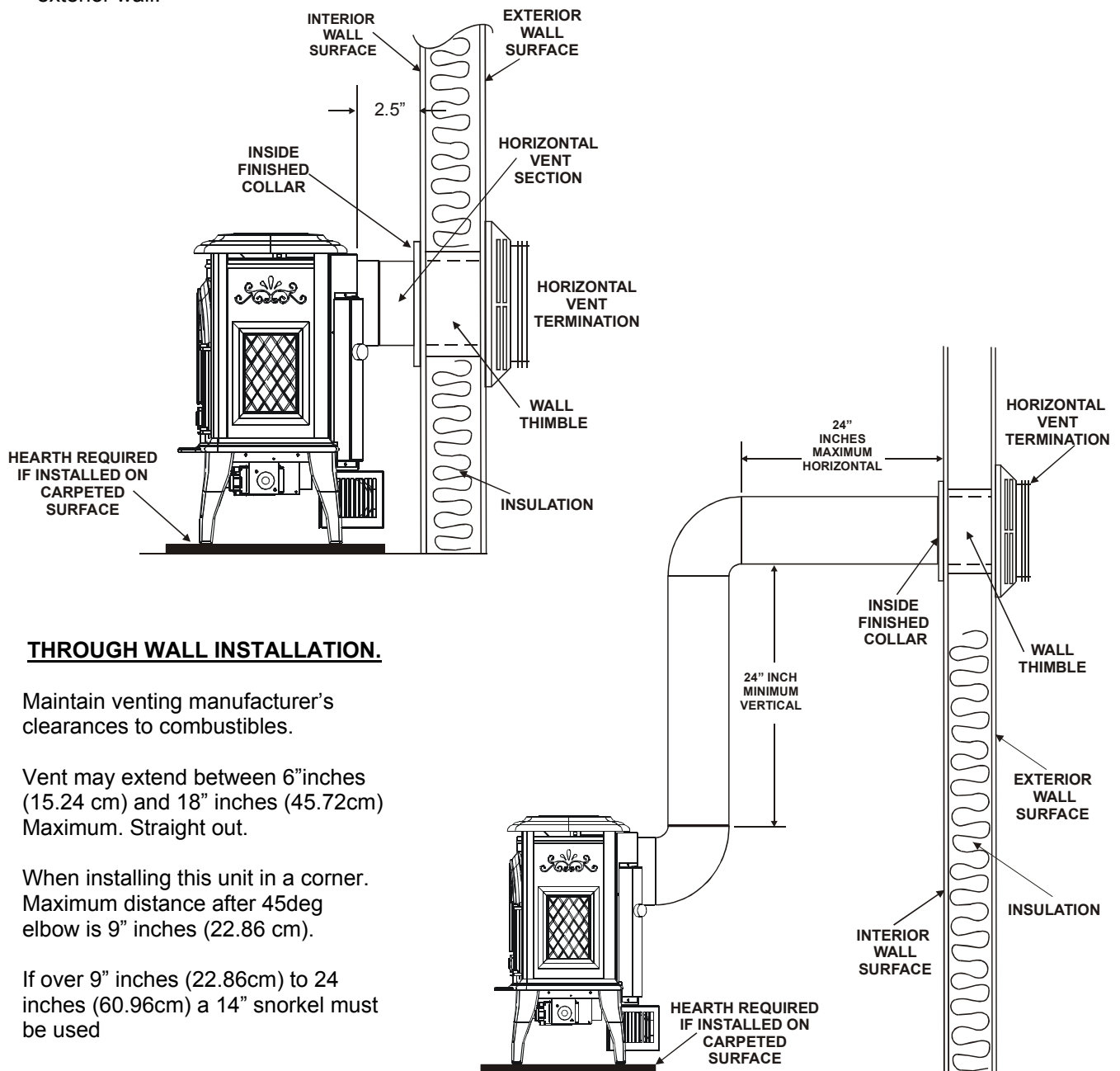
(2) For buildings with vinyl siding, a vinyl siding standoff (950), should be installed between the vent cap and the exterior wall. Attach the vinyl siding standoff to the horizontal termination. The vinyl siding standoff prevents excessive heat from possibly melting the vinyl siding material. Note that the horizontal vent termination bolts onto the flat portion of the vinyl siding standoff., so that an air space will exist between the wall and the vent termination.

NOTES: (1) The horizontal run of vent pipe must be level and **should have a 1/4 inch rise for every one foot of run towards the termination.** Never allow the vent to run downward. This could cause high temperature and may present the possibility of a fire.

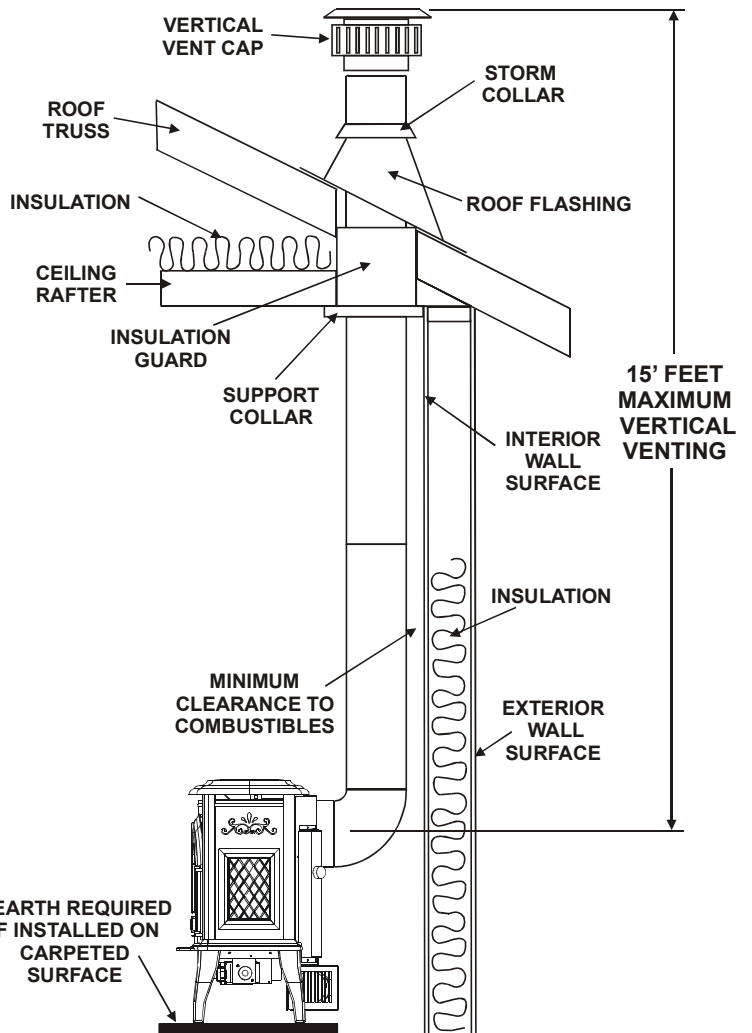
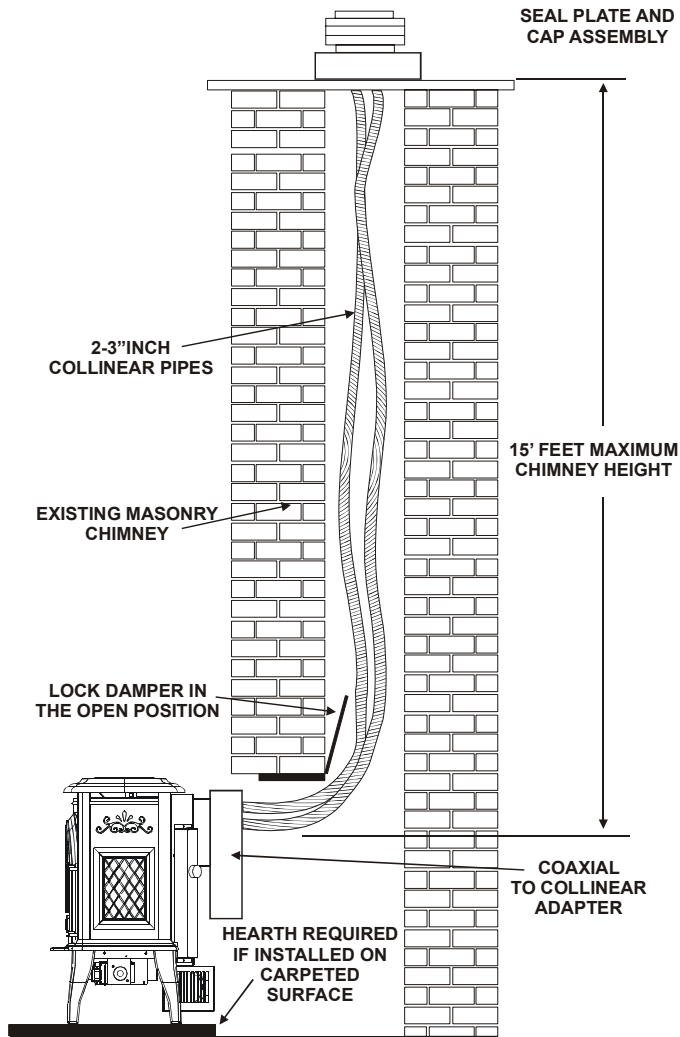
(2) The location of the horizontal vent termination on the exterior wall must not be easily blocked or obstructed. Termination clearances are as follows:

INSTALLATION

NOTE; Vent pipe must not be longer than 18 inches (45.72 CM) maximum when installing straight through exterior wall.



VERTICAL AND HEARTH MOUNT INSTALLATION



VERTICAL INSTALLATION

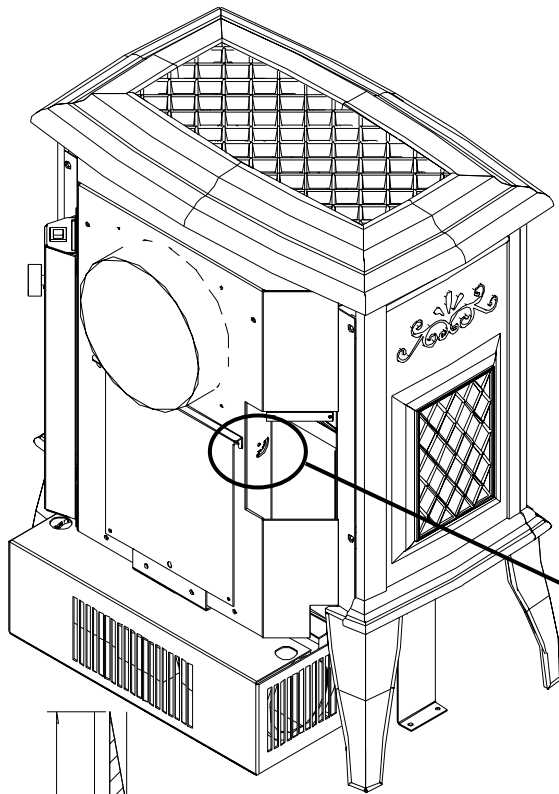
This unit may be installed as a hearth mounted unit.

Install two 3' inch pipes up the chimney to a seal plate and cap assembly
 One exhaust pipe
 One air intake pipe

Using venting manufactures coaxial to collinear adapters at the unit and at the chimney termination.

Maximum vertical chimney height
 15' feet (4.5 M)

VENT RESTRICTOR SETTINGS

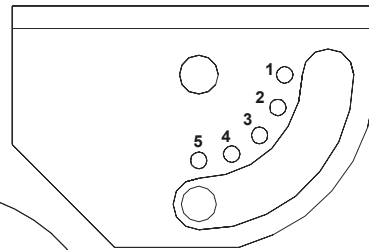


To access restrictor plate, look at the left hand rear corner of the unit. There is a small rectangular hole in the air jacket

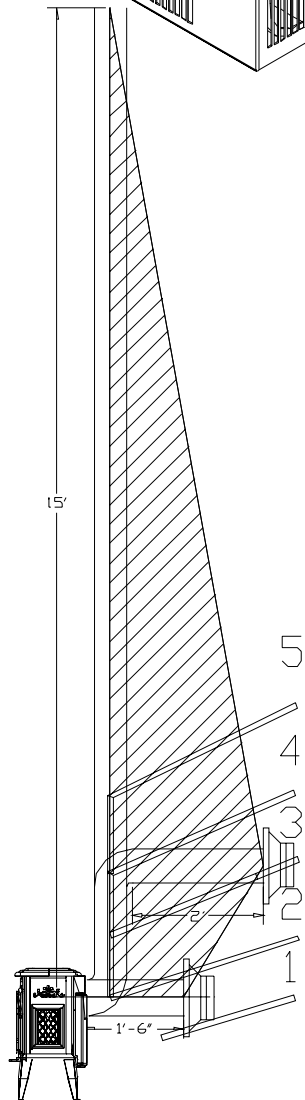
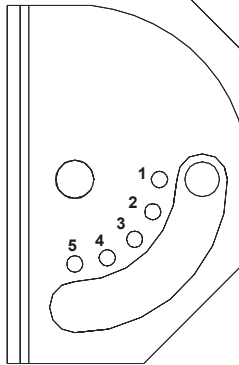
Loosen the 1/4 inch hex head bolt and adjust to the correct setting.

Slide the hex bolt to the next setting and retighten the bolt to ensure the plate does not move

View showing fully closed restrictor plate



View showing fully open restrictor plate



RESTRICTOR SETTINGS

Follow the chart provided to determine where the vent restrictor should be set for proper operation.

The numbers in the chart represent the actual vent restrictor settings. Although the numbers do not appear on the unit use this guide to follow.

Undo the set screw and adjust the vent restrictor to the correct setting.

Ensure that the set screw is retightened and the unit is checked for proper operation.

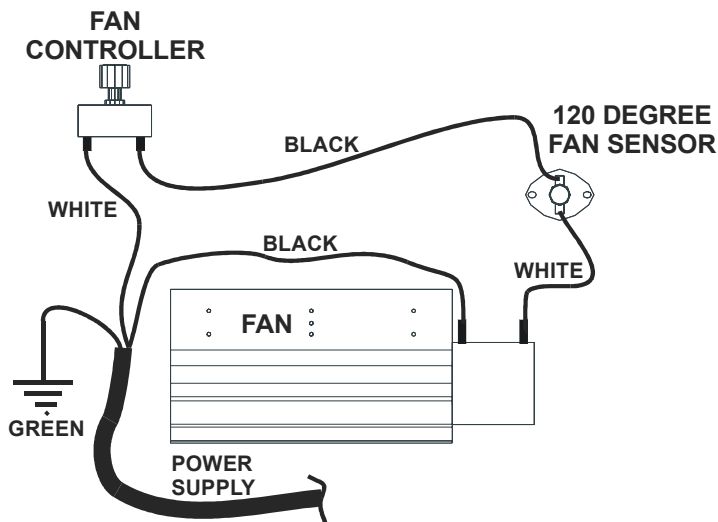
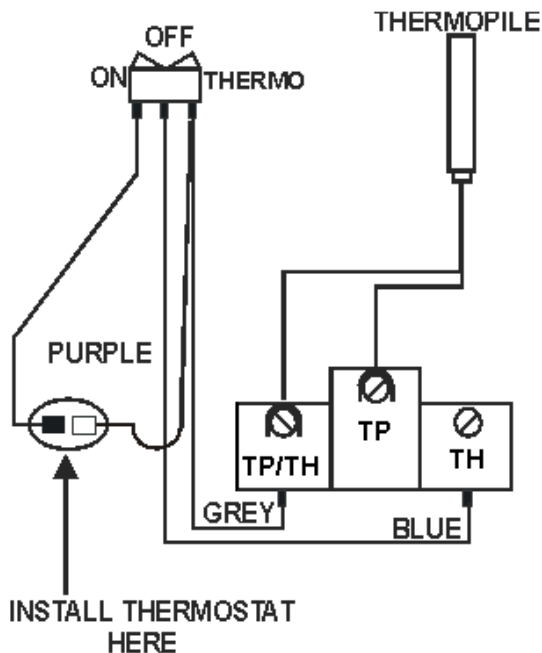
Wait for the unit to warm up to operating temperature to ensure a proper and clean burning unit.

ELECTRICAL REQUIREMENTS

The **ENVIRO ASCOT** will operate without electrical power. This model has a Milli volt gas control, which uses the pilot flame to generate enough electricity to operate the main burners. The appliance when equipped with an optional blower must be electrically connected and grounded in accordance with local codes or in the absence of local codes, with the current CSA C22.1 CANADIAN ELECTRICAL CODE Part 1, SAFETY STANDARDS FOR ELECTRICAL INSTALLATIONS, OR THE NATIONAL ELECTRICAL CODE ANSI / NFPA 70 in the U.S.

WARNING: Electrical grounding instructions. This appliance is equipped with a three-prong (grounding) plug for your protection against shock hazard, and should be plugged directly into a properly grounded three-prong outlet. DO NOT cut or remove the grounding prong from this plug.

CAUTION: Label all wires prior to disconnection when servicing controls. Wiring errors can cause improper and dangerous operation. Verify proper operation after servicing



INSTALLING OPTIONAL BLOWER

Remove the pre-assembled blower from the packaging. Inspect the blower for damage. If damage is noticed call your dealer, distributor or courier company and have components replaced.

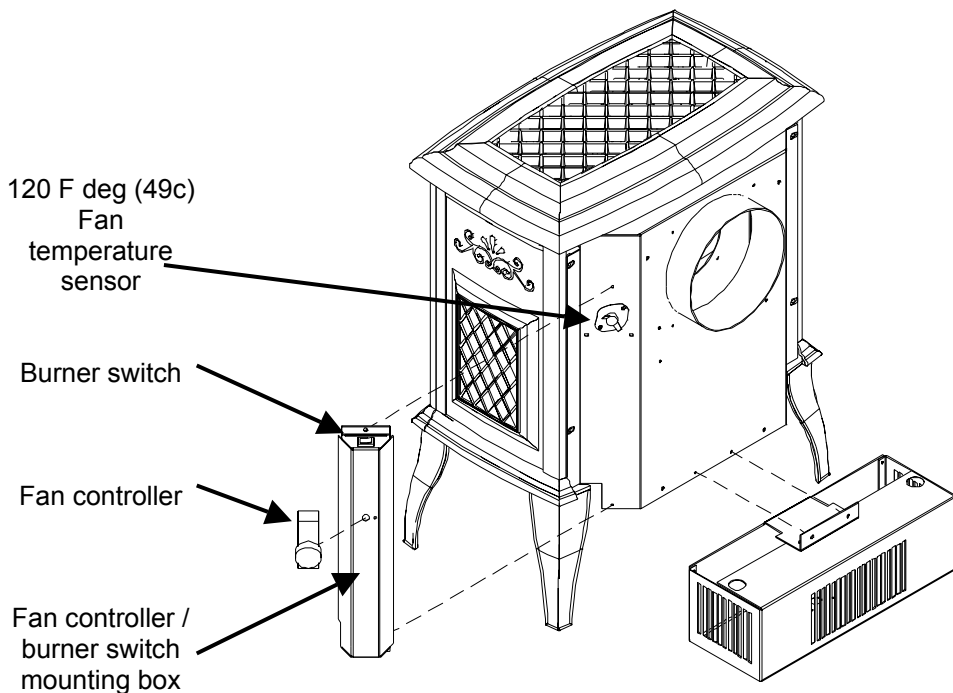
TO INSTALL:

Place the fan assembly behind the unit and secure with the two screws provided. (As shown beside)

Remove the fan controller, mounting box and install fan controller. Neatly dress the wires from the fan assembly to the fan controller.

Install the fan temperature sensor with the two screws provided.

Plug the fan assembly into the wall outlet and turn the unit on to ensure fan operation.



GAS LINE CONNECTION and TESTING

WARNING: Only persons licensed to work with gas piping, may make the necessary gas connections to this appliance.

GAS LINE CONNECTION

- This stove is equipped with a certified flexible pipe located on the right side of the unit terminating in a 3/8" male NPT fitting. Consult your local authorities codes or the CAN/CGA B 149 (1 or 2) installation code in Canada, or in the USA gas installations follow either local codes or the current edition of the National Fuel Gas Code ANSI Z223.1.
- The efficiency rating of this appliance is a product thermal efficiency rating determined under continuous operating conditions and was determined independently of any installed system.

The appliance and its shutoff valves must be disconnected from the gas supply piping system during any pressure testing where the pressure exceeds 1/2 PSIG (3.45 kpa) or damage will occur to the valve.

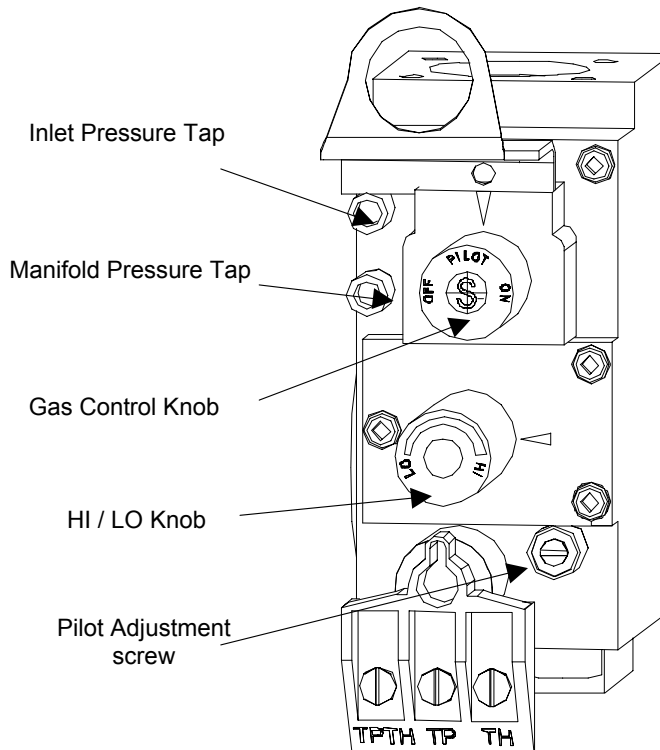
The appliance must be isolated from the gas supply piping system by closing its individual manual shutoff valve during any pressure testing of the gas supply piping system at test pressures equal to or less than 1/2 psig (3.45 kPa).

Always check for gas leaks with a soap and water solution after completing the required pressure test.

TO TEST VALVE PRESSURES

The pressure taps are located on the left side of the valve

- Turn set screw 1 turn counter clockwise to loosen,.
- Place 5/16" (8 mm) I.D. hose over pressure tap system.
- Check pressures using a manometer.
- When finished, release pressure, remove hose & tighten set screw.



	NATURAL GAS	PROPANE GAS
MAIN BURNER	# 48 DMS	# 56 DMS
Manifold Press:	3.8"wc / 0.95 kpa	11.0"wc / 2.74 kpa
Min. Manifold Press:	1.1"wc / 0.27 kpa	2.7"wc / 0.67 kpa
Max. Supply Press:	7.0"wc / 1.74 kpa	13.0"wc/ 3.28 kpa
Min. Supply Press:	5"wc / 1.24 kpa	12"wc / 2.98 kpa
Max. BTUH Input:	17,000 / 4.98 Kw	16,000 / 4.68 Kw
Min. BTUH Input:	10,000 / 2.93 Kw	8,000 / 2.34 Kw

NEVER USE AN OPEN FLAME FOR LEAK TESTING

INSTALLATION OF LOG SET, EMBERS

INSTALLING THE GLOWING EMBERS and LOG SET

A bag of ceramic fiber embers and rock wool embers are provided and should be placed on the burner. **DO NOT** pack this ember material as this could create an unsafe condition.

CAUTION: Use only the type of ember material supplied with this appliance. Due to the irregular size of the ember material there may be more than required. The use of other foreign materials on the burners may create dangerous conditions.

If over time, through cleaning and servicing, these embers require replacement, contact your nearest ENVIROGAS dealer for replacement embers.

1. Carefully remove log from unit. Check to ensure there is no damage. It is very important to install this log in its proper position to insure safe, optimum operating conditions.



2. Place the log set into the firebox. Locate each log by seating it down onto the burner tray supports (pins). Follow the plan view provided for proper log placement.

3. Gently remove the ember material from the plastic bag. Spread a layer loosely across the burner tray. Do not allow any embers to rest against pilot assembly. (see diagram provided for proper ember placement.)



4. Do not pack down, leave embers loose
5. Upon the first light up, watch for ignition to **ALL** burner ports. If a long delay is noted: First, wait for the appliance to cool down
 - Open the front door of the appliance.
 - Check to carefully reposition the embers making sure that burner ports are not plugged solid or blocked

CAUTION: NEVER OPERATE THIS APPLIANCE WITH THE DOOR REMOVED

OPERATING INSTRUCTIONS

FOR YOUR SAFETY READ BEFORE OPERATING



WARNING: IF YOU DO NOT FOLLOW THESE INSTRUCTIONS EXACTLY, A FIRE OR EXPLOSION MAY RESULT CAUSING PROPERTY DAMAGE, PERSONAL INJURY OR LOSS OF LIFE.

- A) This appliance is equipped with a pilot that must be lit by hand by following these instructions exactly.
- B) BEFORE LIGHTING smell all around the appliance area for gas, and next to the floor because some gas is heavier than air and will settle on the floor.

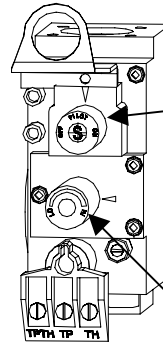
WHAT TO DO IF YOU SMELL GAS:


- Do not try to light any appliance.
 - Do not touch any electrical switch; do not use any phone in your building.
 - Immediately call your gas supplier from a neighbor's phone. Follow the gas supplier instructions.
 - If you cannot reach your gas supplier, call the fire department.
- C) Use only your hand to push in or turn the gas control knob. Never use tools. If the knob will not push in or turn by hand, do not attempt to repair it. Call a qualified service technician. Force or attempted repair may result in a fire or explosion.
- D) Do not use this appliance if any part has been under water. Immediately call a qualified service technician to inspect the appliance and to replace any part of the control system and any gas control which has been under water

LIGHTING INSTRUCTIONS

1. STOP! Read the safety information above.
2. Turn off all electrical power to the appliance.
3. Turn the gas control knob clockwise to the "off" position. 
4. Open door. **Wait five (5) minutes to clear out any gas.** Close door. If you smell gas including near the floor, **STOP!** Follow "B" in the above safety information. If you don't smell gas go to next step.
5. Find the pilot located to the back left hand corner, behind the left rear log.
6. Turn gas control knob counter-clockwise to "PILOT". 
7. Push the gas control knob in fully and hold. A BATTERY operated electronic igniter will light the pilot. Keep knob depressed for about 30 seconds after pilot is lit. Release knob. If pilot goes out, repeat steps 4 through 6.

- If the knob does not pop up when released, stop and immediately call your service technician or gas supplier.
- If the pilot will not stay lit after several tries, turn the gas control knob to "OFF" and call your service technician or gas supplier.



8. Turn gas control knob counter-clockwise  to the "ON" position.

Flip burner switch to "ON"


Turn "HI / LO" knob to the desired setting.

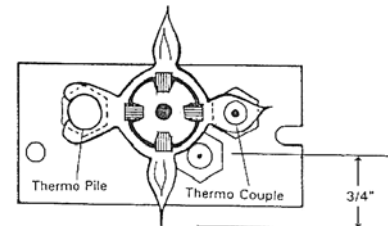
Turn on all electrical power to the unit

WARNING: The gas valve has a lockout device which will not allow the pilot burner to be re-lit until the thermocouple has cooled.

NOTE: Check to be sure the pilot flame engulfs the thermocouple and that the burners light completely.

TO TURN OFF GAS TO APPLIANCE

1. Flip burner switch to off, to turn off burners only.
2. Turn the gas control knob clockwise  to "OFF" DO NOT FORCE
3. Turn off all electrical power to the appliance if service is to be performed



ROUTINE MAINTENANCE and SERVICE

Periodically check to ensure that your system is clean.

Periodically check the pilot and burner. Check to see that all the burner ports are clean and clear. Check the pilot head for blockage. Check to ensure the pilot flame is blue with no or very small yellow tips.

OPENING THE DOOR

Turn unit off and wait until the appliance has cooled down.

Remove the cast iron top from the unit by lifting straight up.
Lift the two door handles located on either side of the door and lift the glass door assembly straight up and out.
Carefully open the two doors and remove if necessary.

Ensure the door is properly fastened after cleaning before attempting to re-light the appliance. **CLEANING THE GLASS**

DO NOT CLEAN GLASS WHEN HOT

It will be necessary to clean the ceramic glass periodically. During a cold start up, condensation will sometimes form on the glass. This is a normal condition with all gas fireplaces and stoves. However, this condensation can allow dust and lint to cling to the glass surface. Initial paint curing of the appliance can leave behind a slight film on the glass. This is a temporary problem. It is therefore recommended that the glass be cleaned initially after about the first two weeks of use.

Depending upon the amount of use, cleaning should be required no more than two or three times per season.

To clean the door, use a **mild glass cleaner** and a **soft cloth**.
Abrasive cleaners will damage the glass and gold surfaces.

TO REPLACE DOOR GLASS

The glass in this appliance is ceramic. If the glass is damaged or broken a factory replacement must be fitted.

To Replace:

- Open door, and remove the glass carefully.
- Install the new piece of glass with the large bulb in the gasket tape against the unit. Place the joint in the tape in a bottom corner. Close door

Glass must be purchased from an ENVIROGAS dealer.
No substitute materials are allowed.

CLEANING THE INSIDE OF THE FIREBOX

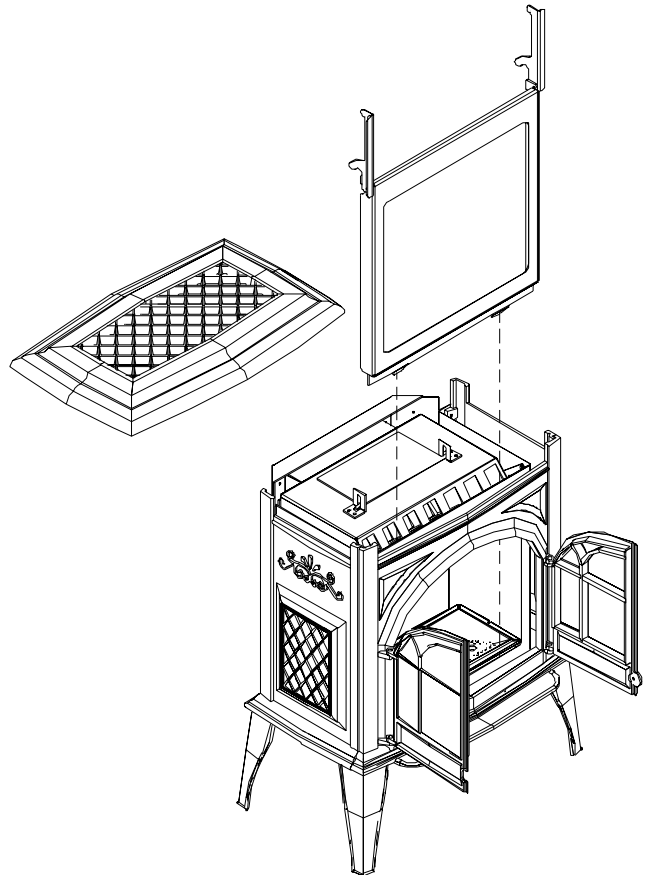
Remove the log carefully from the firebox. Gently remove the embers and place on a piece of paper towel, until ready to replace.

Vacuum the bottom of the firebox thoroughly. Carefully clean off any dust on the logs and remove any lint from the main burner and pilot burner.

After carefully replacing the log and embers in their correct positions, and the door has been resealed, re-light the pilot, following the instructions on the attached label.

CLEARANCES MUST BE SUFFICIENT TO ALLOW ACCESS FOR MAINTENANCE AND SERVICE

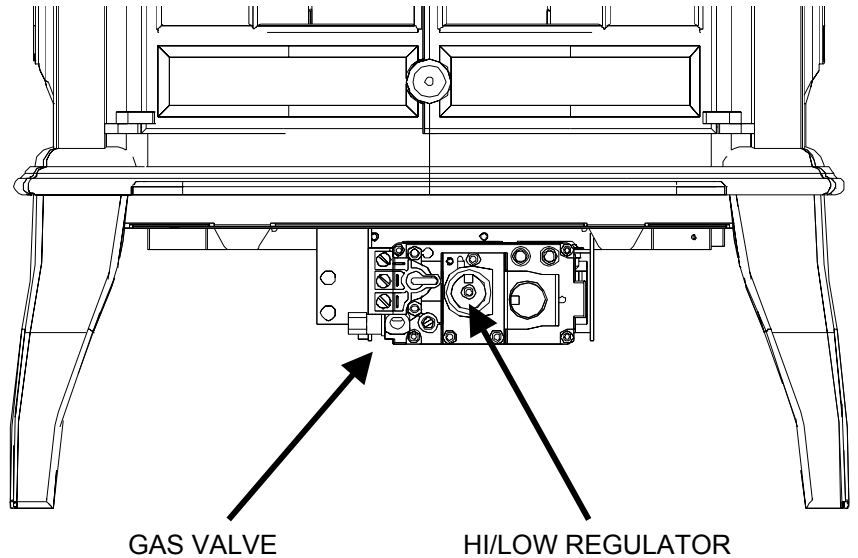
WARNING: Failure to position the parts in accordance with these diagrams or failure to use only parts specifically approved with this appliance may result in property damage or personal injury.



FUEL CONVERSION

ENVIROGAS ASCOT

“Warning” This conversion kit shall be installed by a qualified service technician in accordance with the manufacturer’s instructions and all applicable codes and requirements of the authority having jurisdiction. If the information in these instructions is not followed exactly, a fire, explosion or CO poisoning may result. The qualified service agency is responsible for the proper installation of this kit. The installation is not proper or complete until the operation of the converted appliance is checked as specified in the owner’s conversion kit.



Please read and follow these instructions. Also please read the instruction guide lines provided by S.I.T on how to remove and install the HI-LOW regulator.

- STEP 1. Carefully inspect all parts supplied with this conversion kit.
- STEP 2. Shut the gas off and disconnect the main gas line from the unit.
- STEP 3. Open the door by lifting the cast iron top off of the unit. Pull the two handles straight up to unlatch the door. Using the two latches lift the door assembly straight up and out of the unit. Swing the front doors open or remove for access the inside of the firebox.
- STEP 4. Change the regulator on the top of the gas valve. (Follow the instructions provided by S.I.T)
- STEP 5. To change the pilot orifice, simply pull the pilot hood straight up to access the pilot injector. Using a 5/32" Allen key remove the pilot injector.
- STEP 6. Install the new pilot injector supplied with this conversion kit, simply screw the new injector inside the pilot hood and reinstall pilot hood by placing hood on the assembly lining up the key way and snap into place.
- STEP 7. Remove the main burner orifice with a 1/2" deep socket.
- STEP 8. Install the new orifice supplied. Be sure to put a bead of pipe thread sealant or approved Teflon tape on the orifice before installing into the burner assembly.
- STEP 9. Reinstall the burner tray, log set and door.
- STEP 10. Reconnect the gas line to the unit. Do a leak check using soap and water solution or a approved method on the gas supply line.
- STEP 11. Re-light the appliance to insure proper operation and proper flame appearance.
- STEP 12. MAKE SURE that the sticker provided by S.I.T is installed to signify that this valve has been converted to a different type of fuel. Also make sure that the rating plate has a conversion label to show that this unit has been converted to a different fuel type.

A VISUAL CHECK OF THE REGULATOR KNOB IS NECESSARY TO DETERMINE WHETHER OR NOT THE REGULATOR IS THE CORRECT PART. A 50% TURN DOWN REGULATOR WILL HAVE ONLY ONE CORNER ON THE KNOB.

1 50% turn down HI-LOW Regulator w 3 T-20 Torx screws
1 pilot injector
1 Main orifice
Conversion instructions.
Labels to show conversion.

	NATURAL GAS	PROPANE
Pilot Orifice.	.62 mm	.40 mm
Burner Orifice.	# 48 Dms	# 56 Dms

TROUBLE SHOOTING

Problem	Possible Cause	Solution
Spark will not arc to the pilot after repeated pressing of spark ignitor	Low battery or bad electronic module.	Replace the electronic module or Replace the battery in module.
	Broken spark electrode	-Check for broken ceramic insulation replace, electrode if broken
	Misalign spark electrode	-If spark is not arcing from the electrode to pilot- adjust by loosening screws on pilot base. Adjust away from burner and re-tighten
Pilot will not remain lit	Problem with thermocouple circuit	-Check for proper connection of thermocouple to rear of valve. If loose, tighten lightly -Check pilot for full flame impingement around thermocouple. If the pilot is too small - Check the gas pressure, adjust pilot rate screw, check the pilot head for blockage. -Check thermocouple voltage at rear of valve- must be greater than 7 mV. If low, replace thermocouple.
	Air in gas line - (Pilot flame dies while knob is depressed.)	-Bleed line. -Check gas line pressure. -Contact dealer.
Burners will not remain lit	Problem with thermopile circuit	-Check gas line pressure. -Check for flame impingement on thermopile, if low see "Pilot will not stay lit" -Check thermopile for a Minimum of 200 mV when burner switched on. -Check wiring to thermostat for breaks.
Flame lifting	- Leak in vent pipe - Improper vent configuration - Terminal may be recirculating flue gases - Improperly set vent restrictor plate.	-check for leaks in vent connections -check vent configuration with manual -check to see if terminal is on correctly -May need to install high wind termination cap -contact dealer. -See venting section for proper restrictor setting.
Glass fogs up	Normal conditions - after the appliance warms up glass will clear ** Due to additives in gas, glass may get hazy during normal use** Clean when needed.	
Blue flames	Normal during start - flame will yellow as the appliance heats up.	
Flames are burning "dirty" or Sooting	Flame impingement	-check log position -increase primary air by opening venturi shutters see also "Burners will not stay lit" Check vent restrictor for proper setting.

WARRANTY

Sherwood Industries Ltd. offers a Limited Lifetime Warranty on this gas product. This limited lifetime warranty covers the appliance for a period of seven years from the date of installation. This warranty applies only to the original owner in the original location

Covered under the lifetime warranty are, Surround Panels and Chassis and Heat Exchanger. These steel components are covered against manufacturer's defects for 7 years and labour for the first year. (A) The following exclusions apply:- over-firing due to incorrect setup or tampering, damage caused by incorrect installation, usage or abuse. The unit must be properly installed by a qualified technician or installer, and must meet all local and national gas and building code requirements.

We also cover against manufacture defects under our Limited Lifetime warranty. The following components,

Gold Plating, Log Set, Burners and Glass (A) The following exclusions apply: Porcelain finishes- Damage caused by chipping, scratching, marring, chemicals, fingerprints, abrasive cleaners or discoloration with age. Glass- use of harsh or abrasive cleaners, striking the glass or surface contaminates. Log set- Damage caused by incorrect handling or misuse. Burners- damage caused by improper or continuous operation under incorrect conditions.

Sherwood Industries Ltd. offers a 2-year warranty on all the Electrical Components and Gas Components against manufacturing defects. Paint is covered against flaking. This offer includes parts and labor for 1 year and for parts only thereafter.

Your dealer shall make all claims under this warranty in writing.

WHEN FILING A WARRANTY CLAIM PLEASE COMPLETE THE FOLLOWING INFORMATION ON AN OFFICIAL WARRANTY CLAIM FORM:

TO THE DEALER

Name, address and telephone number of purchaser and date of purchase.

Date of installation. Name of installer and dealer. Serial number of the appliance. Nature of complaint, defects or malfunction, description and part # of any parts replaced.

TO THE DISTRIBUTOR

Sign and verify that work and information are correct.

This warranty covers defects in materials and workmanship only if the product has been installed according to the manual's instructions. If the product is damaged or broken as a result of misuse or mishandling the warranty does not apply. The warranty does not cover removal and re-installation costs.

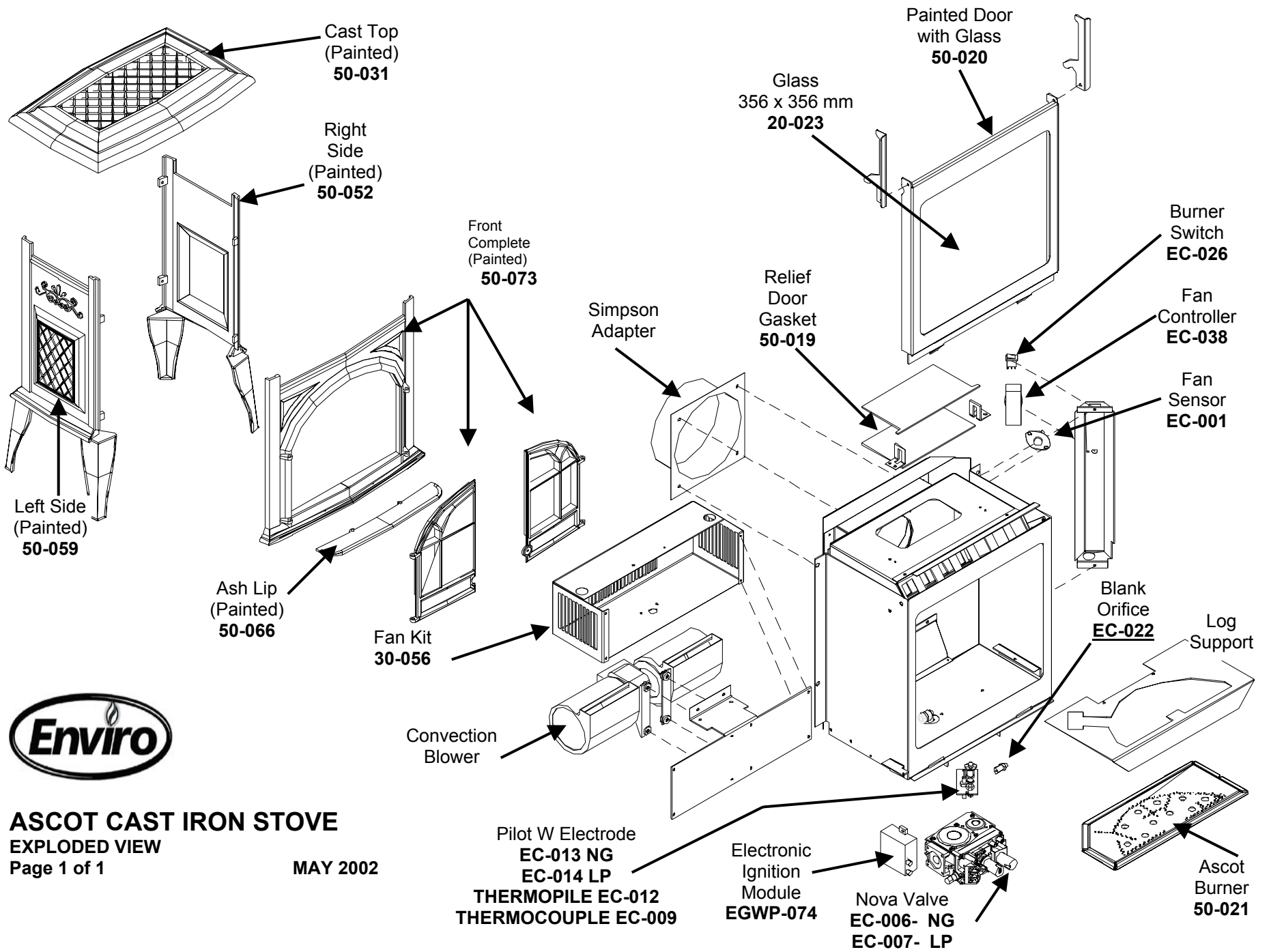
Sherwood Industries Ltd. reserves the right to repair or to replace the defective product. The shipping costs are to be paid by the consumer. All warranties by the manufacture are set forth herein and no claim shall be made against the manufacturer on any oral warranty or representation.

Sherwood Industries Ltd. and its employees or representatives will not assume any damages, either directly or indirectly caused by improper usage, operation, installation, servicing or maintenance of this appliance.

Sherwood Industries Ltd. reserves the right to make changes without notice. Please complete and mail the warranty registration card and have the installer fill in the installation data sheet in the back of the manual for warranty and future reference.

ASCOT PARTS LIST

EC-026	FPI BURNER SWITCH	
EC-022	BLANK ORIFICE # 48 DMS NG # 56 DMS LP	
EC-009	THERMOCOUPLE	
EC-011	IGNITER ELECTRODE AND WIRE	
EC-012	THERMOPILE	
EC-006	SIT NOVA 820 VALVE NG	
EC-007	SIT NOVA 820 VALVE LP	
EC-013	PILOT W/ELECTRODE NG	
EC-014	PILOT W/ELECTRODE LP	
EC-024	18" FLEX LINE WITH 3/8 ELBOW	<u>SPECIFY COLOUR</u>
EGWP-074	ELECTRONIC IGNITION MODULE	
50-019	RELIEF DOOR GASKET	
EC-058	WINDOW CHANNEL TAPE	
20-023	1 PC. GLASS W/TAPE (356mm X 356mm)	SB- SATIN BLACK
50-020	PAINTED DOOR ONLY	AW- ANTIQUE WHITE
50-021	BURNER COMPLETE	DB- DIAMOND BLACK
EC-021	PILOT GASKET	PG- PEARL GREY
50-022	LOG SET W/EMBERS	IR- INFERNO RED
EGWP-073	EMBERS	WB- WEDGEWOOD BLUE
50-023	LIGHTING INSTRUCTIONS (FRENCH)	WG- WESTPORT GREEN
50-024	LIGHTING INSTRUCTIONS (ENGLISH)	
50-025	CENTER LOG	
50-026	LEFT FRONT LOG	
50-027	RIGHT FRONT LOG	
50-028	REAR LOG	
50-029	OWNERS MANUAL	
OPTIONAL BLOWER		
EG 28-001	CONVECTION BLOWER	
EC-044	HEYCO STRAIN RELIEF	
EC-038	FAN CONTROLLER W/KNOB	FORREST PAINT COLOR CODE FOR VENT PIPE
EC-042	POWER CORD	
EC-001	120 CERAMIC TEMPERATURE SENSOR	
EC-040	FAN CONTROLLER KNOB	
CAST PARTS PAINTED		
50-031	TOP COMPLETE	SB- SATIN BLACK
50-052	SIDE PANEL (RIGHT)	AW- ANTIQUE WHITE 64EN7792
50-059	SIDE PANEL (LEFT)	DB- DIAMOND BLACK 64E200
50-066	ASH LIP	PG- PEARL GREY 64DN8880
50-030	DOOR KNOB SILVER 1"	IR- INFERNO RED 64EN7488
50-073	FRONT COMPLETE (DOOR FRAME, DOORS, HINGE PINS AND DOOR KNOB)	WB- WEDGEWOOD BLUE 64EN6701
		WG- WESTPORT GREEN 64EN6943



ASCOT CAST IRON STOVE

EXPLODED VIEW
Page 1 of 1

MAY 2002

INSTALLATION DATA SHEET

The following information must be recorded by the installer for warranty purposes and future reference.

Envirogas Model: **ASCOT DV**

Name of Owner:

Address:

Phone: _____

Name of Dealer:

Address:

Phone: _____

- Model : _____
- Serial Number: _____
- Date of Purchase:
_____/_____/_____
- Date of Installation:
_____/_____/_____
- ___ Natural Gas (Nat.), ___ Propane (LPG)
- Inlet Gas Supply Pressure: _____ in.w.c.

If the orifices were changed by the installer.

Main Burner Orifice; _____ # DMS

- Pilot Orifice # _____ or _____ in.Dia.

Installer's Signature

Name of Installer:

Address:

Phone : _____

WEB SITE ADDRESS (www.envirofire.biz)

02 08 28

MANUFACTURED BY:

SHERWOOD INDUSTRIES, 6782 OLDFIELD ROAD, SAANICHTON, B.C., CANADA V8M 2A3