



SHERWOOD INDUSTRIES IS AN ENVIRONMENTALLY RESPONSIBLE COMPANY
THIS MANUAL IS PRINTED ON RECYCLED PAPER



Warnock Hersey

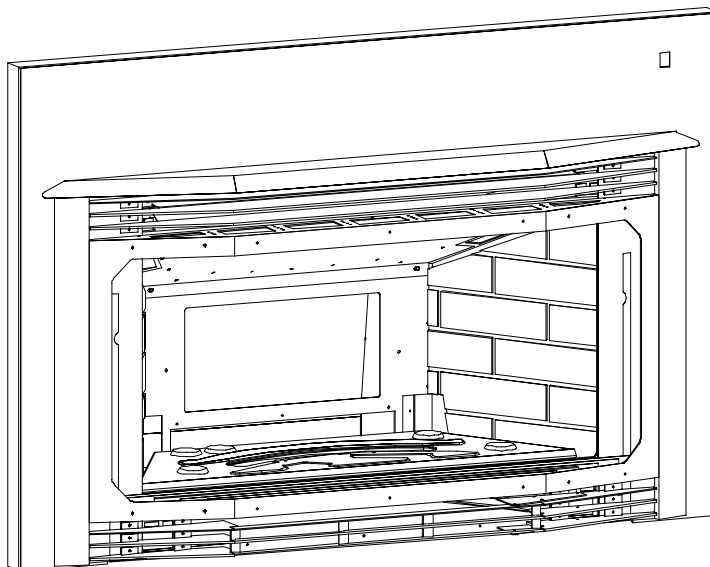


FOCUS

By SHERWOOD INDUSTRIES LTD.

OWNERS MANUAL

PLEASE KEEP THESE INSTRUCTIONS FOR FUTURE REFERENCE



WHAT TO DO IF YOU SMELL GAS

- Open windows/Extinguish any open flame
- Do not try to light any appliance.
- Do not touch any electrical switch; do not use any phone in your building.
- Immediately call your gas supplier from a neighbor's phone. Follow the gas supplier's instructions.
- If you cannot reach your gas supplier, call the fire department.

WARNING

If the information in this manual is not followed exactly, a fire or explosion may result causing property damage, personal injury or loss of life. Installation and service must be performed by a qualified installer, service agency or the gas supplier.

FOR YOUR SAFETY

Do not store or use gasoline or other Flammable vapors and liquids in the vicinity of this or any other appliance.

SAFETY PRECAUTIONS

FOR SAFE INSTALLATION AND OPERATION OF YOUR "ENVIROGAS" HEATER, PLEASE, CAREFULLY READ THE FOLLOWING INFORMATION:

- All "ENVIROGAS" gas-fired appliances must be installed in accordance with these instructions. Carefully read all the instructions in this manual first. Consult the building authority having jurisdiction to determine the need for a permit prior to commencing the installation.

- **NOTE** Failure to follow these instructions could cause a malfunction of the fireplace which could result in death, serious bodily injury, and/or property damage.
- Failure to follow these instructions may also void your fire insurance and/or warranty.

GENERAL

- Installation and repair should be done by a qualified service person. The appliance should be inspected before use and at least annually by a qualified service person. More frequent cleaning may be required due to excessive lint from carpeting, bedding material, etc. It is imperative that control compartments, burners and circulating air passageways of the appliance be kept clean.
- Due to high temperatures the appliance should be located out of high traffic areas and away from furniture and draperies. Children and adults should be alerted to hazards of high surface temperatures and should stay away to avoid burns or clothing ignition.
- Young children should be carefully supervised when they are in the same room as the appliance.
- Clothing or other flammable material should not be placed on or near the appliance.

FOR YOUR SAFETY

- Installation and service must be performed by a qualified installer, service agency or the gas supplier.
- This installation must conform with local codes or, in the absence of local codes with the current CAN/CGA -B149 installation code in Canada or the National Fuel Gas Code ANSI Z223.1.2 in the USA.

- To prevent injury do not allow anyone who is unfamiliar with the operation to use the stove.

To prevent injury, if the pilot or pilot and burners have gone out on their own, open the glass door and wait 5 minutes to air out before attempting to re-light stove.

- Always keep the area around these appliances clear of combustible material, gasoline or other flammable vapors and liquids.
- These appliances should not be used as a drying rack for clothing or for hanging Christmas stockings or decorations.
- Due to the paint curing on the stove a faint odor and slight smoking will likely be noticed when the stove is first used. Open a window until the slight smoking stops.

Always connect this gas stove to a vent system and vent to the outside of the building envelope. Never vent to another room or inside a building. Make sure you use the vent pipe that is specified. Make sure that the vent is properly sized and is of adequate height to provide the proper draft. Inspect the venting system annually for blockage and any signs of deterioration.

WARNING: Failure to position the parts in accordance with these diagrams or failure to use only parts specifically approved with this appliance may result in property damage or personal injury.
WARNING: Do not operate with the glass front removed, cracked or broken. Replacement of the glass should be done by a licensed or qualified service person.

- Never use solid fuels such as wood, paper, cardboard, coal, or any other flammable liquids etc., in this appliance.
- Do not use this heater if any part has been under water. Immediately call a qualified service technician to inspect the heater and to replace any part of the control system and any gas control which has been under water.
- Do not abuse glass by striking or slamming door shut

TABLE OF CONTENTS

SECTION	PAGE
1. Code Approvals	3
2. Dimensions and Clearances to Combustibles	4
3. Venting	4-5
4. Assembly and Installation Instructions	6
5. Clip on Dorr Installation	7
6. Electrical Requirements	8
7. Gas Line Connection and Testing	9
8. Installation of Log Sets and Embers and Brick Panels	10
9. Operating Instructions	11
10. Routine Maintenance and Service	12
11. Removing Burner Controls	13
12. Conversions DV-BV	14
13. Fuel Conversions	15
14. Trouble Shooting	16
15. Warranty	17
Part List	18
Exploded views	19-21
16. Installation Data Sheet	22

1. CODES AND APPROVALS

DIRECT VENT Type is identified by the suffix **DV**. This type of appliance draws all of its air for combustion from outside of the dwelling through specially designed vent pipe system.

**** DV ONLY** Certified for installation from 0-4500ft (0-1372m)**

VENTED Type is identified by the suffix **BV**. This appliance draws in room air for combustion and vent dilution air.

- These appliances have been tested by INTERTEK TESTING SERVICES (**WH**) and found to comply with the established standards **VENTED GAS FIREPLACE HEATER** in **CANADA** and the **USA** as follows:

VENTED GAS FIREPLACE HEATER (FOCUS BV / DV) (NG / LPG)
 TESTED TO: ANSI Z21.88.1998 CSA 2.33.M98 VENTED GAS FIREPLACE HEATER
 CSA 2.17 GAS FIRED APPLIANCES FOR HIGH ALTITUDE

****BV ONLY** Certified for installation from 0 - 2000 ft (610 m)**

FOR INSTALLATIONS ABOVE 2000 FEET (610 m)

In Canada, these appliances are certified for altitudes of 0-2,000 feet (610 m) and must be derated by 11% for installation at elevations between 2,000 (810 m) and 4,500 feet (1370 m).

NATURAL GAS
INPUT; 26.700 BTU/H (7.76kWh)
 ORIFICE SIZE #39 DMS

PROPANE GAS
INPUT; 26.700 BTU/H (7.76kWh)
 ORIFICE SIZE # 53 DMS

- In the USA, these appliance are certified for elevations up to 2,000 feet (810 m). For elevations above 2,000 feet (810 m), input should be reduced 4% for each 1,000 feet (405 m) above sea level.

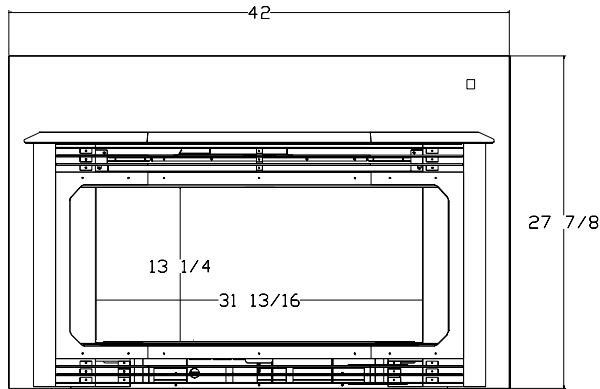
ENVIROGAS FOCUS

- Has been certified for use with either natural or propane gases. (see rating label.)
- Is not for use with solid fuels.
- Is approved for bedroom or bedsitting room. (Canada must install an approved wall thermostat)
- Must be installed on a non combustible surface.
- Must be installed in accordance with local codes.
 If none exist use current installation code CAN/CGA B149 in Canada or ANSI Z223.1/NFPA 54 in the USA.
- Must be properly connected to a venting system and not connected to a chimney flue serving a separate solid-fuel burning appliance.
- Must have inner flat unit glass installed before bay window can be installed.

WARNING: For installation only in a solid fuel burning fireplace with a working flue and constructed of non combustible material using a chimney liner kit.

2. DIMENSIONS AND CLEARANCES TO COMBUSTIBLES

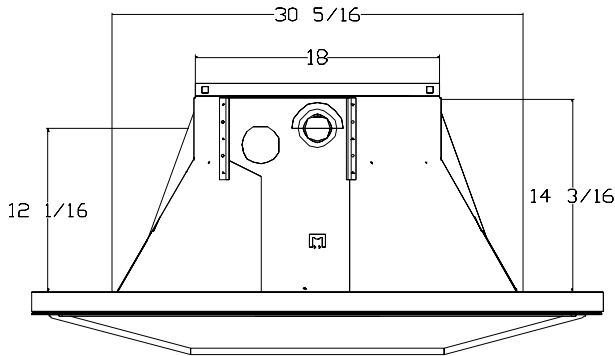
DISTANCE TO COMBUSTIBLES:



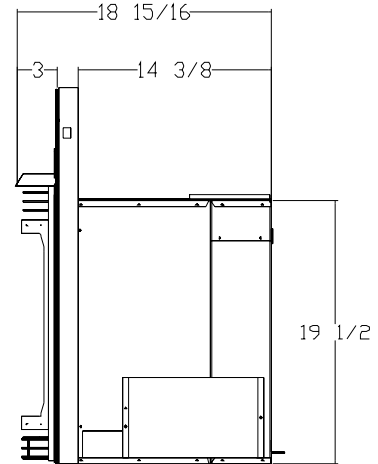
Mantle pillar to glass door 9" / 22.8 cm
 From floor to 8" wide mantle 38" / 96.5 cm
 Minimum non-combustible surface in front of unit
 11" 27.9 cm

OTHER DIMENSIONS

A. Depth of unit into fireplace 16" / 41 cm
 B. Depth of unit out of fireplace 3" / 7.62 cm
 C. Minimum firebox size
 W 34" x H 21" x D 18"
 (W 86.36 x H 53.34 x D
 45.72 cm)



*Stove must sit on a non-combustible surface,
 Maintain sufficient clearances for operation,
 service and maintenance*



3. VENTING

WARNING: Operation of this heater when not connected to a properly installed and maintained venting system or tampering with the vent safety shutoff system can result in carbon monoxide (CO) poisoning and possible death.

B VENT MODEL:

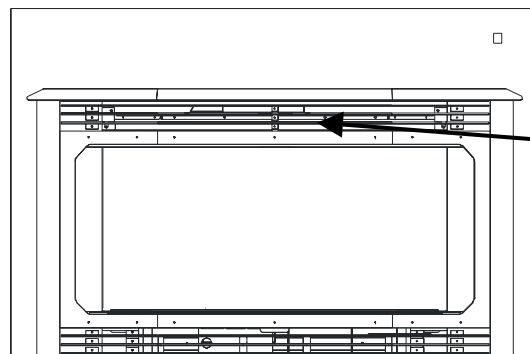
WARNING: THIS APPLIANCE HAS BEEN DESIGNED TO OPERATE BY DRAWING COMBUSTION AIR AND DILUTION AIR FROM THE ROOM. IT IS ALSO DESIGNED TO DRAW ROOM AIR FOR PROPER HEAT CIRCULATION FROM THE SIDES OF THE UNIT. BLOCKING OR MODIFYING THE LOUVERS IN ANY WAY CAN CREATE HAZARDOUS SITUATIONS, EITHER THROUGH POOR VENTING OR BY OVERHEATING. IT IS IMPORTANT THAT THIS UNIT HAS SUFFICIENT AIR CIRCULATION FOR PROPER VENTING AND COMBUSTION. PROVISIONS MUST BE MADE FOR THE SUPPLY OF ADEQUATE COMBUSTION AND VENTILATION AIR. THESE OPENINGS MUST NOT BE BLOCKED. THE APPLIANCE MUST NOT BE CONNECTED TO A CHIMNEY FLUE SERVICING A SEPARATE SOLID FUEL BURNING APPLIANCE.

AUTOMATIC FLUE GAS SPILL SWITCH

NOTE: THIS HEATER MUST BE PROPERLY CONNECTED TO A VENTING SYSTEM. THIS HEATER IS EQUIPPED WITH A VENT SAFETY SHUTOFF SYSTEM DESIGNED TO PROTECT AGAINST IMPROPER VENTING OF COMBUSTION PRODUCTS. THIS SAFETY SWITCH IS LOCATED ON THE REAR OF THE APPLIANCE CLOSE TO THE DRAFT HOOD RELIEF OPENING. IF THE SWITCH TRIPS MORE THAN ONCE THE VENTING SHOULD BE INSPECTED BY A QUALIFIED SERVICE TECHNICIAN FOR POSSIBLE BLOCKAGE OR SEVERE DOWN DRAFT CONDITIONS

BV Only: The draft hood must be in the same pressure zone as the air inlet. To inspect draft from the front of the unit, locate the 1/4" tube between the louvers and check for a draft using smoke. A vacuum or suction into the tube will indicate proper drafting.

This model can be vented with 4" aluminum or stainless steel flex vent and/or certified Type B Gas Vent. The flue collar of the appliance will fit inside of a standard 4" vent and may be fastened directly to the vent. Check periodically that the vent is unrestricted and an adequate draft is present when the unit is in operation.



CHECK
 DRAFT WITH
 A MATCH OR
 SMOKE IN
 1/4" TUBE
 LOCATED
 HERE

DIRECT VENT MODEL:

WARNING: THIS APPLIANCE HAS BEEN DESIGNED TO DRAW ROOM AIR FOR PROPER HEAT CIRCULATION FROM THE SIDES OF THE UNIT. BLOCKING OR MODIFYING THE LOUVERS IN ANY WAY CAN CREATE HAZARDOUS SITUATIONS.

This model is vented with TWO (2) 3" aluminum or stainless steel flex vent leading into a co-linear to co-axial vent adapter and using a Simpson Dura Vent vertical termination cap. The flue collars of this model will fit inside of standard 3" vent and may be fastened directly to the vent. The Exhaust vent is in the center of the flue connector. The Air Intake is on the left side of the vent collar plate (this outlet is not in the center it is off to one side of the vent collar plate.)

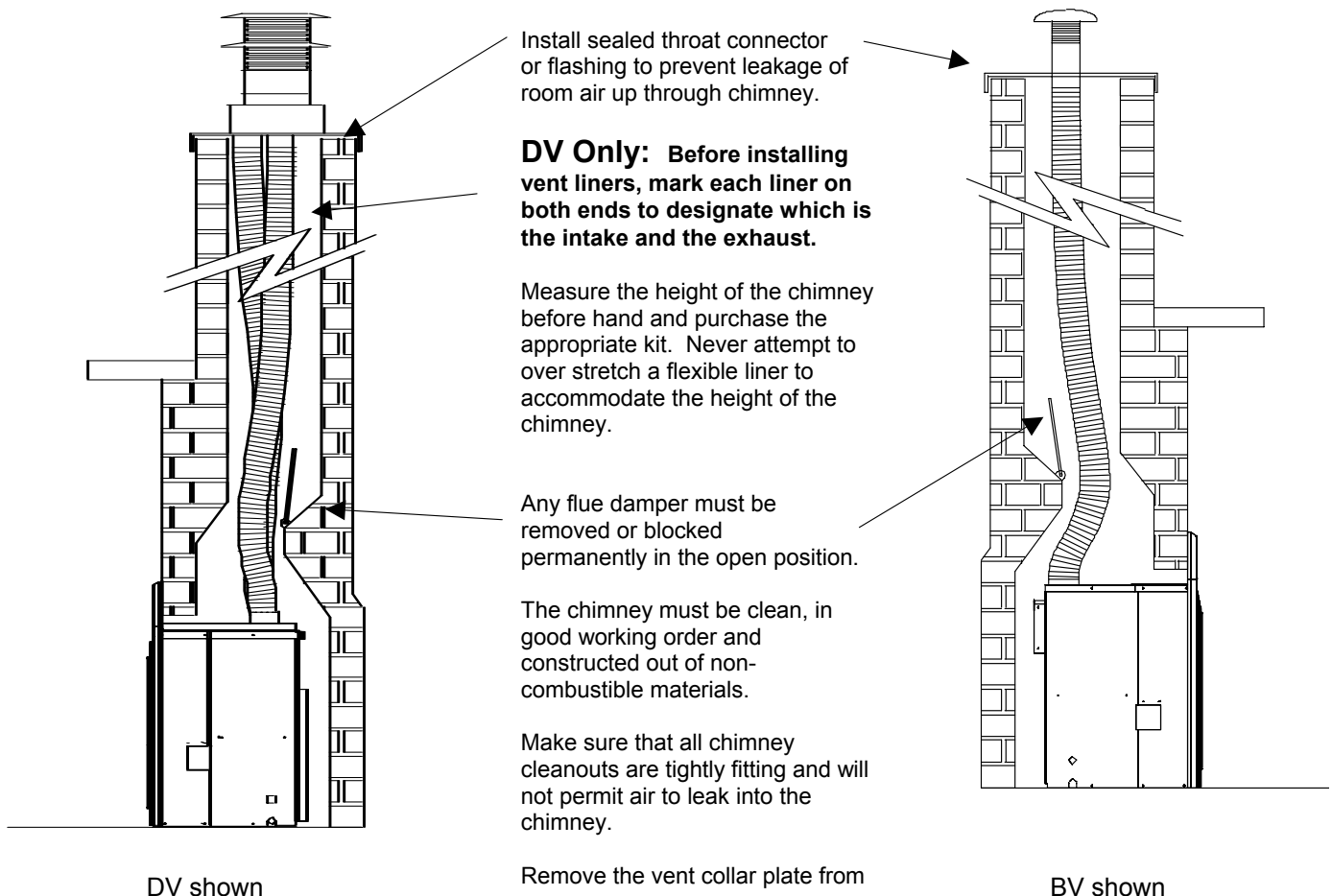
Check periodically that the vents are unrestricted. Also ensure that all direct vent pipes have been properly sealed and installed after routine inspection or cleaning, the air intake and exhaust pipes must be installed in the correct locations on the removable draft hood connector.

WARNING: Operation of this heater when not connected to a properly installed and maintained venting system can result in carbon monoxide (CO) poisoning and possible death.

VENTING FIREPLACE INSERTS

The Envirogas **ENVIROGAS FOCUS** may be installed and vented into any solid fuel fireplace that has been installed in accordance with the National, Provincial/State and local building codes and has been constructed of non-combustible materials.

An approved chimney liner and rain cap must be used. A throat connector or flashing **must** be installed, to ensure a tight seal, top performance, safety and efficiency. Carefully follow the manufacturers instructions which accompany the chimney liner kit.



the top of the insert and connect it securely with sheet metal screws and/or hose clamps. Check for any tears in the liner at this point. (See also Assembly and Installation Instructions section 3.)

IMPORTANT: The screws that hold the vent collar plate in it's approved position must be installed.

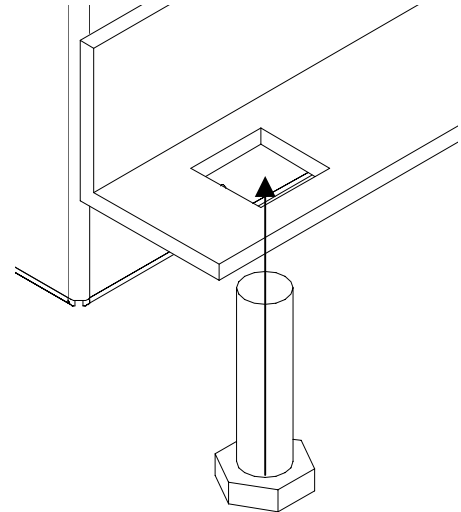
4. ASSEMBLY AND INSTALLATION INSTRUCTIONS

PREPARATION FOR INSTALLATION

- Remove the packaging from the appliance and surround panels, check to make sure there is no damage. Carefully check the glass door. **Do not use the unit if it is damaged.** In the event damage is found please report it to both the courier and your dealer as soon as possible.
- Carefully clean the fireplace and flue before installing the stove. Failure to do so may result in fumes or dirt being blown into the room and may cause a fire leading to death or serious injury.

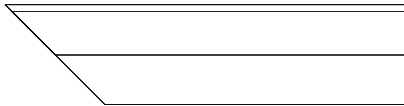
ASSEMBLING AND INSTALLING YOUR ENVIROGAS *FOCUS*

1. Remove the unit from the box and remove all packaging material from the appliance.
2. Open the door, by removing the two 5/16" bolts located at the top outside corners of the glass frame. Lift door up and remove from unit.
CAUTION GLASS MAY SEPARATE FROM DOOR.

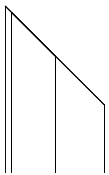


3. Remove log and ember set and all wrapping material from the stove. Remove wrapping material from log and embers and check for any damage. If damage is observed do not use unit and contact your local dealer.
4. Remove the vent collar plate from the top of the stove by unscrewing the two T20 Torx screws, located on the center top of the stove. Slide collar plate backwards. Properly secure the vent collar plate to the flexible vent pipe liner(s) previously installed in the chimney. Be careful not to over stretch the liner(s)
5. Install the leveling legs. (Thread the 5" (13 cm) bolt and locknut up into the captive nut from the bottom).

6. Place the unit part way into the fireplace. Connect the fireplace insert's flexible gas line to the household gas supply using locally approved methods. Place the electric cable so it can be connected to the power supply.



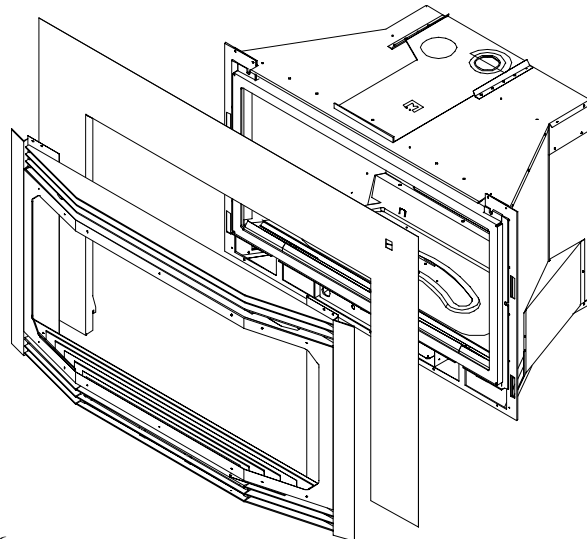
7. As you push the unit into its final position in the fireplace, reinstall the vent collar plate to the stove by sliding it along the draft hood and secure with the screw. Adjust the leveling legs to ensure the unit is level.



8. Place one side and the top of the brass trim onto the surround panel and use corner bracket to secure pieces together. Place the second side of brass trim on to the surround panel and secure in the same manner. Install spring clips provided behind the brass trim to secure trim to the surround panel

9. Connect the wires from the unit to the ON/OFF/THERMOSTAT switch and the FAN CONTROLLER. (see wiring diagram next page)

10. Place the assembled surround panel around the stove, align the slots. Push back then down to engage the surround panel cliets with the slots in the fireplace. Install the decorative facia or bay window options to the appliance by aligning the cliets and the slots in the fireplace as seen in the surround panel installation.



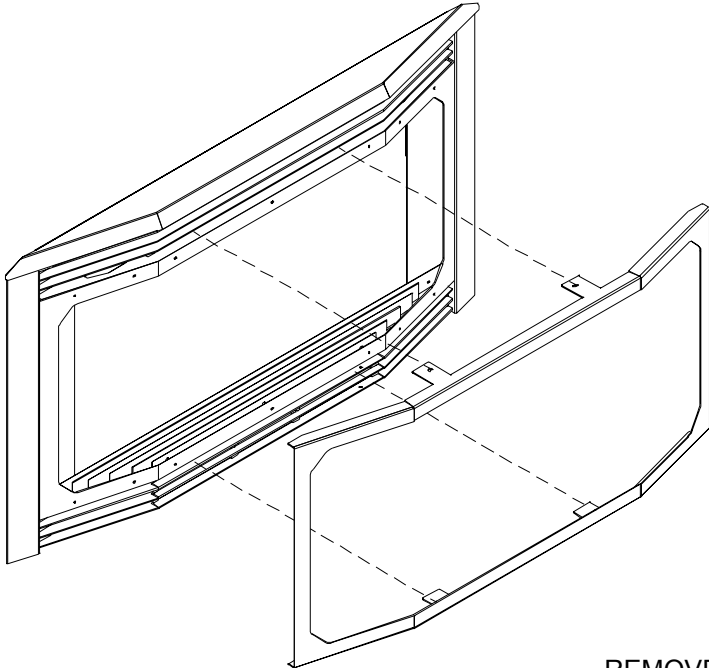
5. CLIP ON DOOR INSTALLATION.

Please inspect all components and parts in the package for damage. If damage has occurred please contact the courier company, dealer or distributor and have parts and components repaired or replaced before installation.

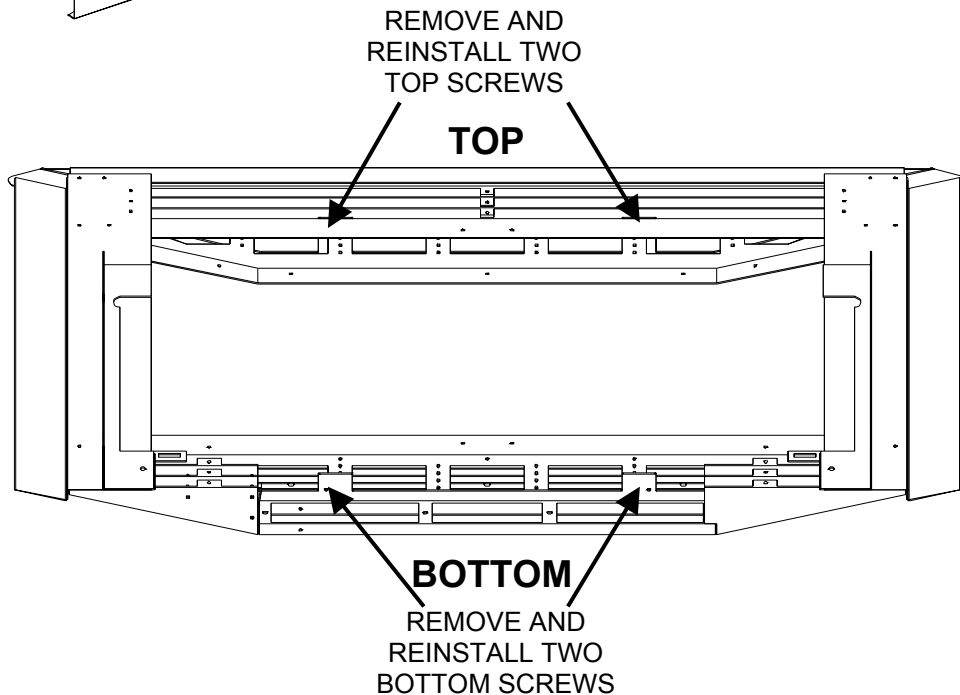
COMPONENTS IN THIS PACKAGE:

- 1 CLIP-ON DOOR (GOLD or NICKEL)
- 4 T20 TORX SCREWS

1. Place the bay door assembly face down on a soft surface to prevent scratching or marring to painted, glass surfaces

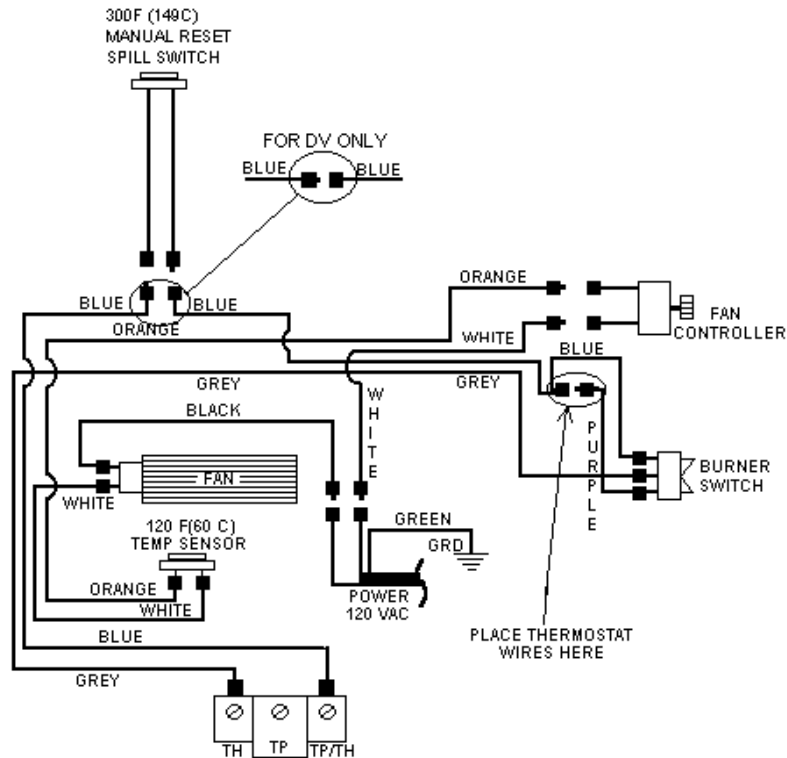


- 2. Locate the four securing screws that hold the clip on door to the steel bay front.
- 3. Remove the painted door skin by undoing and removing the four fastening screws.
- 4. Carefully stand bay face upright and remove old clip on door. Install the new clip on door. Carefully place Bay front on the face and secure with the four screws provided.



6. ELECTRICAL REQUIREMENTS

The EG 30 will operate without electrical power. This model has a Millivolt gas control which uses the pilot flame to generate enough electricity to operate the main burners. The appliance when equipped with blower must be electrically connected and grounded in accordance with local codes or in the absence of local codes, with the current CSA C22.1 CANADIAN ELECTRICAL CODE Part 1, SAFETY STANDARDS FOR ELECTRICAL INSTALLATIONS, OR THE NATIONAL ELECTRICAL CODE ANSI / NFPA 70 in the U.S.



WARNING: Electrical grounding instructions. This appliance is equipped with a three-prong (grounding) plug for your protection against shock hazard, and should be plugged directly into a properly grounded three-prong outlet. DO NOT cut or remove the grounding prong from this plug.

CAUTION: Label all wires prior to disconnection when servicing controls. Wiring errors can cause improper and dangerous operation. Verify proper operation after servicing

INSTALLING THE BLOWER

1. Turn the unit off, open the door and remove the log set. Remove the burner tray top by removing the two screws located in the center of the burner tray. Slide tray to the left and lift out. Remove brick panels (see Removing and Installing Brick Panels).
2. Remove the surround panel by lifting straight up and then pull out to free from the body of the unit. Turn gas supply off and remove gas connection. Disconnect the wiring from the side of the appliance.
3. Remove the screws that hold the air deflector located on the back firewall and undo the remaining screws that hold the burner assembly in the appliance. Carefully remove the gas tray assembly from the firebox, ensuring that no wires or gas line are damaged.
4. Remove the blower and housing from the gas tray assembly by removing the fastening screws located on the back of the gas tray assembly. Disconnect the wiring from the fan temperature sensor and remove.
5. Hook up wires from the new blower to main wiring harness and fan temperature sensor. Install the blower in the reverse order as described in step 4.
6. Reinstall the completed gas tray into the firebox being careful not to damage any wires or gas line. Properly secure the gas tray assembly in the firebox. Hook up gas line and wiring harness. Perform a gas leak check on all gas line with a soap and water solution or an approved method.
7. Install surround panel. (Return unit to original location if moved). Re-install brick panels, burners, logset and door.
8. Check burner and blower assembly for proper operation.

7. GAS LINE CONNECTION and TESTING

WARNING: Only persons licensed to work with gas piping may make the necessary gas connections to this appliance.

GAS LINE CONNECTION

- This stove is equipped with a certified flexible pipe located on the right side of the unit terminating in a 3/8" male NPT fitting. Consult your local authorities codes or the CAN/CGA B 149 (1 or 2) installation code in Canada, or in the USA gas installations follow either local codes or the current edition of the National Fuel Gas Code ANSI Z223.1.
- The efficiency rating of this appliance is a product thermal efficiency rating determined under continuous operating conditions and was determined independently of any installed system.

The appliance and its shutoff valves must be disconnected from the gas supply piping system during any pressure testing where the pressure exceeds 1/2 PSIG (3.45 kpa) or damage will occur to the valve.

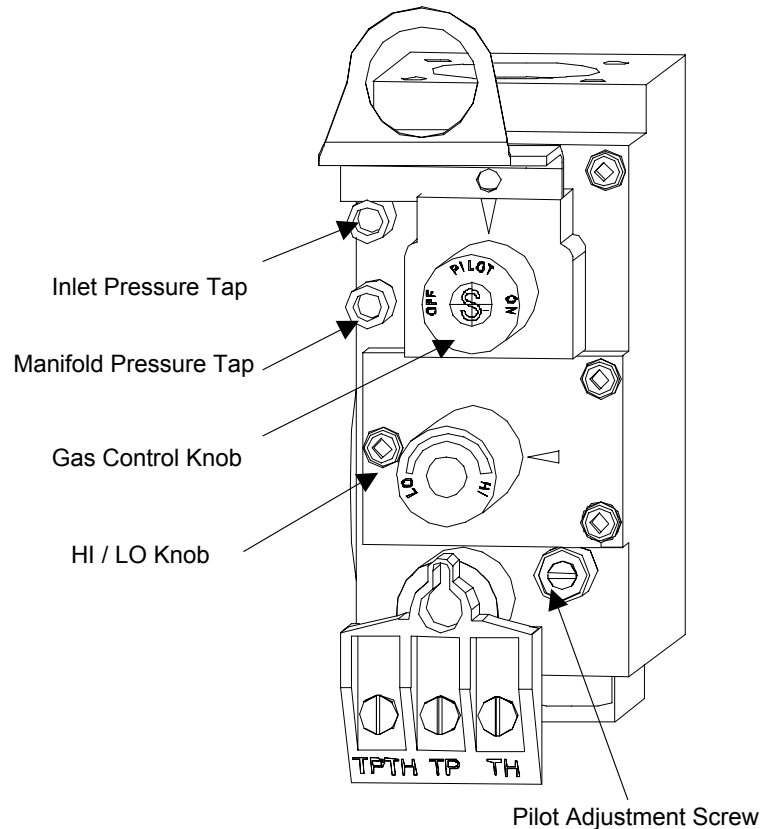
The appliance must be isolated from the gas supply piping system by closing its individual manual shutoff valve during any pressure testing of the gas supply piping system at test pressures equal to or less than 1/2 psig (3.45 kPa).

Always check for gas leaks with a soap and water solution after completing the required pressure test.

TO TEST VALVE PRESSURES

The pressure taps are located on the left side of the valve

- Turn set screw 1 turn counter clockwise to loosen,.
- Place 5/16" (8 mm) I.D. hose over pressure tap system.
- Check pressures using a manometer.
- When finished, release pressure, remove hose & tighten set screw.



ORIFICE SIZES, PRESSURES AND BTU'S

All models are equipped with a variable output gas control.

	NATURAL	PROPANE
MAIN BURNER	#38 DMS	#52 DMS
Manifold Press:	3.8"wc / 0.95 kpa	11.0"wc / 2.74 kpa
Min. Manifold Press:	1.1"wc / 0.27 kpa	2.7"wc / 0.67 kpa
Max. Supply Press:	7.0"wc / 1.74 kpa	13.0"wc/ 3.28 kpa
Min. Supply Press:	5"wc / 1.24 kpa	12"wc / 2.98 kpa
Max. BTUH Input:	30,000 / 8.8 Kw	28,000 / 8.2 Kw
Min. BTUH Input:	15,000 / 4.2 Kw	14,000 / 4.1 Kw

NEVER USE AN OPEN FLAME FOR LEAK TESTING

8. INSTALLATION OF LOG SET, EMBERS and BRICK PANELS

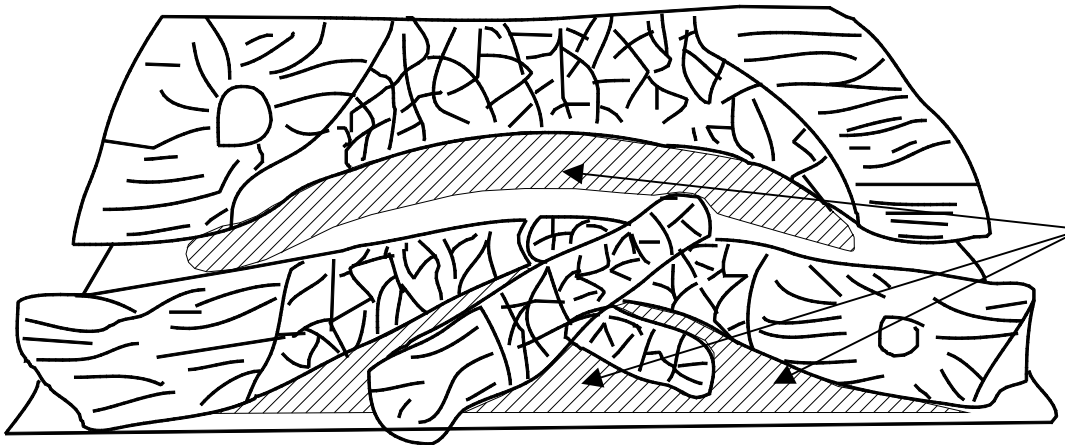
INSTALLING THE GLOWING EMBERS and LOGSET

A bag of ceramic fiber embers and rock wool embers are provided and should be placed on the burner. DO NOT pack this ember material as this could create an unsafe condition.

CAUTION: Use only the type of ember material supplied with this appliance. Due to the irregular size of the ember material there may be more than required. The use of other foreign materials on the burners may create dangerous conditions.

If over time, through cleaning and servicing, these embers require replacement, contact your nearest ENVIROGAS dealer for replacement embers.

1. Carefully remove log from unit. Check to ensure there is no damage. It is very important to install this log in its proper position to insure safe, optimum operating conditions.
2. Place the log set into the fire box. Locate each log by seating it down onto the burner tray supports (pins). Follow the plan view provided for proper log placement.

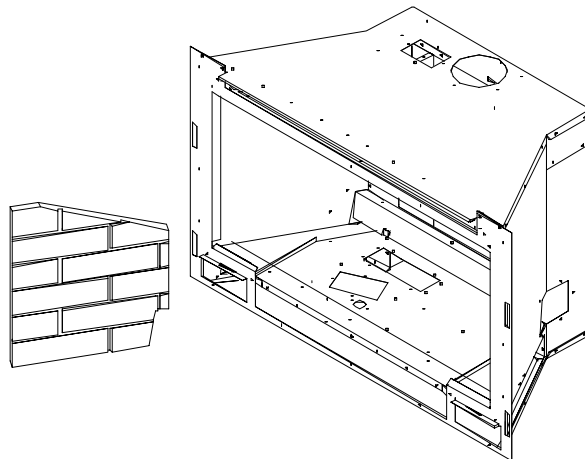


3. Gently remove the ember material from the plastic bag. Spread a layer loosely across the burner tray. Do not allow any embers to rest against pilot assembly. (see diagram provided for proper ember placement.)
4. Carefully avoid any clumping or large build ups. Do not pack down, leave embers loose
5. Upon the first light up, watch for ignition to **ALL** burner ports. If a long delay is noted:
First, wait for the appliance to cool down
 - Open the front door of the appliance.
 - Check to carefully reposition the embers making sure that burner ports are not plugged solid or blocked

REMOVING AND INSTALLING THE BRICK PANELS

Open the door. Remove the log set. Remove the burner tray by undoing the two hold down screws located in the center of the pan burner and sliding the assembly to the left, then up.

Gently pull right brick side panel inwards from the bottom back. Pull towards the back then out freeing it from the front retainer. Caution pilot may damage panel. Remove left side panel the same way.



Insert front edge of brick panel into the retainer and very gently move panel forward and out until flush against firebox side. Repeat for other side.

CAUTION: NEVER OPERATE THIS APPLIANCE WITH THE DOOR REMOVED

9. OPERATING INSTRUCTIONS

FOR YOUR SAFETY READ BEFORE OPERATING



WARNING: IF YOU DO NOT FOLLOW THESE INSTRUCTIONS EXACTLY, A FIRE OR EXPLOSION MAY RESULT CAUSING PROPERTY DAMAGE, PERSONAL INJURY OR LOSS OF LIFE.

- A) This appliance is equipped with a pilot which must be lit by hand by following these instructions exactly.
- B) BEFORE LIGHTING smell all around the appliance area for gas, and next to the floor because some gas is heavier than air and will settle on the floor.

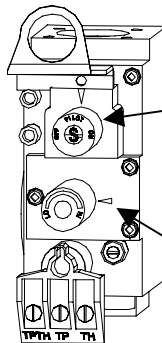
WHAT TO DO IF YOU SMELL GAS:


- Do not try to light any appliance.
 - Do not touch any electrical switch; do not use any phone in your building.
 - Immediately call your gas supplier from a neighbor's phone. follow the gas suppliers instructions.
 - If you cannot reach your gas supplier, call the fire department.
- C) Use only your hand to push in or turn the gas control knob. Never use tools. If the knob will not push in or turn by hand, do not try to repair it. Call a qualified service technician. Force or attempted repair may result in a fire or explosion.
- D) Do not use this appliance if any part has been under water. Immediately call a qualified service technician to inspect the appliance and to replace any part of the control system and any gas control which has been under water

LIGHTING INSTRUCTIONS

1. STOP! Read the safety information above.
2. Turn off all electrical power to the appliance.
3. Turn the gas control knob clockwise  to the "off" position.
4. Open door. **Wait five (5) minutes to clear out any gas.** Close door. If you smell gas including near the floor, **STOP!** Follow "B" in the above safety information. If you don't smell gas go to next step.
5. Find the pilot located to the right between the front and rear burner.
6. Turn gas control knob counter-clockwise to "PILOT". 
7. Push the gas control knob in fully and hold. Immediately light the pilot by pushing the piezo spark ignitor. Keep knob depressed for about 30 seconds after pilot is lit. Release knob. If pilot goes out, repeat steps 4 through 6.

- If the knob does not pop up when released, stop and immediately call your service technician or gas supplier.
- If the pilot will not stay lit after several tries, turn the gas control knob to "OFF" and call your service technician or gas supplier.



8. Turn gas control knob counter-clockwise to the "ON"  position.

Flip burner switch to "ON"


Turn "HI / LO" knob to the desired setting.

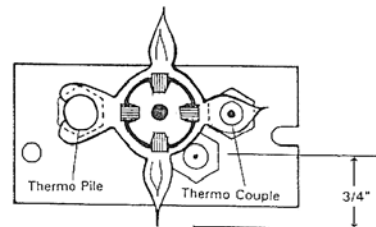
WARNING The gas valve has an lockout device which will not allow the pilot burner to be re-lit until the thermocouple has cooled.

Turn on all electrical power to the unit

NOTE: Check to be sure the pilot flame engulfs the thermocouple and that the burners light completely.

TO TURN OFF GAS TO APPLIANCE

1. Flip burner switch to off, to turn off burners only.
2. Turn the gas control knob clockwise  to "OFF" DO NOT FORCE
3. Turn off all electrical power to the appliance if service is to be performed



10. ROUTINE MAINTENANCE and SERVICE

Periodically check to ensure that your system is clean.

Periodically check the pilot and burner. Check to see that all the burner ports are clean and clear. Check the pilot head for blockage. Check to ensure the pilot flame is blue with no or very small yellow tips.

OPENING THE DOOR

Turn unit off and wait until the appliance has cooled down.

Remove the decorative facia by lifting up and remove from the slots in the body of the unit.

If a clip on bay window is installed, lift up and remove from the slots in the body of the unit.

Undo the two 5/16" bolts at the top of the door frame and then lift the glass and frame, being careful that the glass does not fall out of the door frame assembly. Install in the reverse order.

Ensure the door is properly fastened after cleaning before attempting to re-light the appliance.

CLEANING THE GLASS

Do not clean glass when hot

It will be necessary to clean the ceramic glass periodically. During a cold start up, condensation will sometimes form on the glass, this is a normal condition with all gas fireplaces and stoves. However, this condensation can allow dust and lint to cling to the glass surface. Initial paint curing of the appliance can leave behind a slight film on the glass. This is a temporary problem. It is therefore recommended that the glass be cleaned initially after about the first two weeks of use.

Depending upon the amount of use, cleaning should be required no more than two or three times per season.

To clean the door, use a **mild glass cleaner** and a **soft cloth**. **Abrasive cleaners will damage the glass and gold surfaces.**

TO REPLACE DOOR GLASS

The glass in this appliance is ceramic. If the glass is damaged or broken a factory replacement must be fitted.

To Replace:

- Open door, remove the glass carefully.
- Install the new piece of glass with the large bulb in the gasket tape against the unit. Place the joint in the tape in a bottom corner. Close door

Glass must be purchased from an Envirogas dealer.

No substitute materials are allowed.

CLEANING THE INSIDE OF THE FIREBOX

Remove the log carefully from the firebox. Gently remove the embers and place on a piece of paper towel. Until ready to replace.

Vacuum the bottom of the firebox thoroughly. Carefully clean off any dust on the logs and brick panels and remove any lint from the main burner and pilot burner.

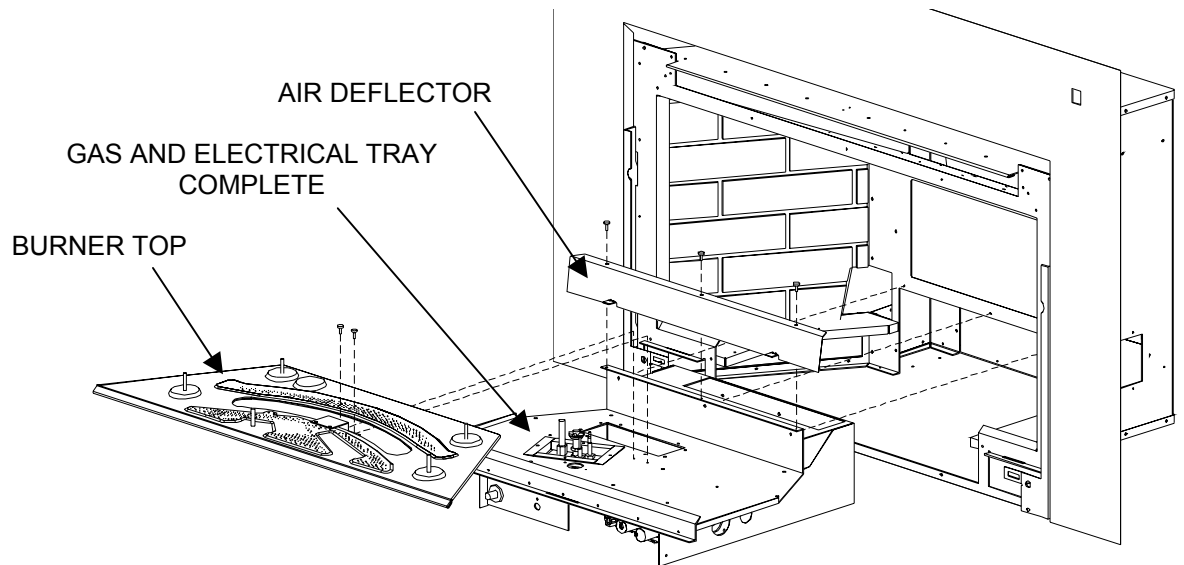
After carefully replacing the log and embers in their correct positions, and the door has been resealed, re-light the pilot, following the instructions on the attached label.

CLEARANCES MUST BE SUFFICIENT TO ALLOW ACCESS FOR MAINTENANCE AND SERVICE

WARNING: Failure to properly position the parts in accordance with these diagrams or failure to use only parts specifically approved with this appliance may result in property damage or personal injury.

11.REMOVING BURNER CONTROLS:

1. Shut of gas supply to appliance.
2. Remove surround panels by pulling up then out. Disconnect gas line from the valve. Disconnect harness at connector on side of unit.
3. Open the door and remove the log. Remove the burner tray assembly by removing the TWO screws in the center of the burner. Slide tray to the left, lift tray out.
4. Remove right and left side brick panel as per instructions. Undo the three screws that hold the air deflector to the rear of firebox. Undo the remaining screws that hold the burner controls in the firebox.
5. Install in the reverse order.



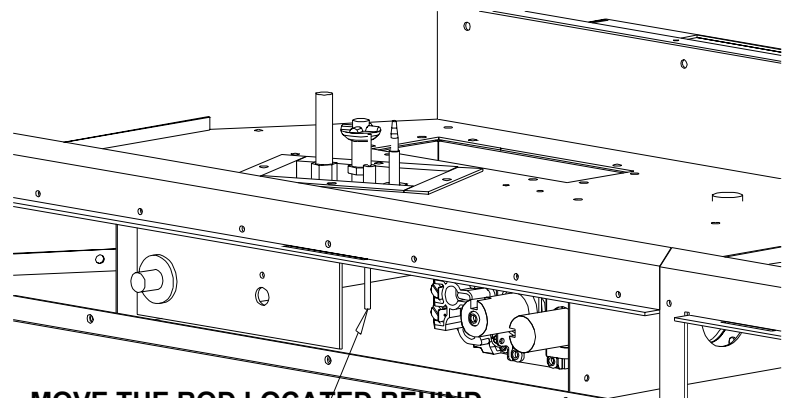
Caution:
Bleed lines before lighting and light pilot with door open

ADJUSTING VENTURI AIR SETTINGS

There is only one venturi and one air shutter to be adjusted.

When installing the burner top ensure that the venture tube is engaged to the air shutter adjustment rod.

Use this small venture adjustment rod to achieve a proper and efficient flame is achieved.



**MOVE THE ROD LOCATED BEHIND
THE PIEZO IGNITER TO INCREASE OR
DECREASE PRIMARY AIR AT THE
VENTURI TUBE**

12.CONVERSIONS

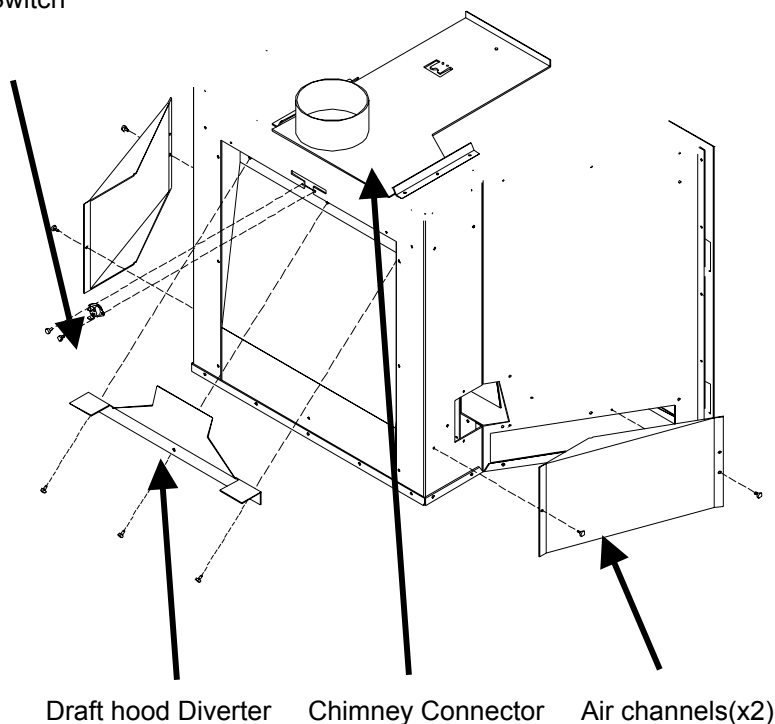
CONVERTING A DIRECT VENT FIREPLACE TO B VENTED FIREPLACE

300deg Spill Switch

Parts required for conversion:

- 1-Draft hood (4" chimney connection)
- 2-Air channels
- 1-Draft hood diverter
- 1-300deg.F (149deg C) Manual reset spill switch and wires

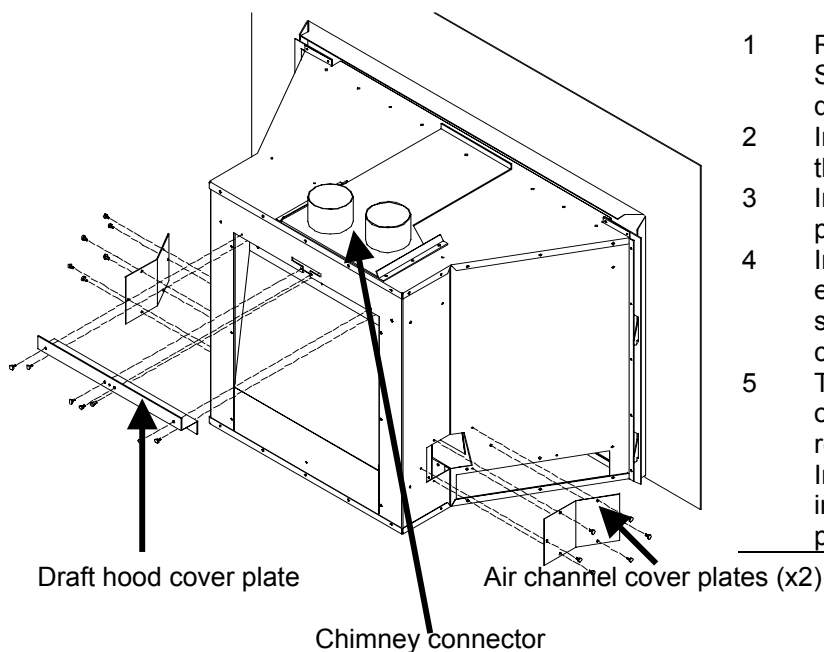
- 1 Remove the chimney connector, fresh air cover plates and draft hood cover plate.
- 2 Install the 300deg (149 deg C) spill switch in the location provided.
- 3 Install the two fresh air channels in the correct locations.
- 4 Install a new 4" chimney liner into the existing and attach with 3 sheet metal screws evenly spaced to new 4" chimney connector.
- 5 Test fire the appliance and ensure proper operation. A venturi adjustment could be required to achieve an efficient flame. Improper operation or adjustment could result in Carbon Monoxide production causing personal or property damage.



CONVERTING A B VENTED FIREPLACE TO A DIRECT VENT FIREPLACE.

Parts required for conversion

- 1-Draft hood (2-3" dual pipe Chimney connector)
- 2-Air channel cover plates
- 1-Draft hood cover plate.



- 1 Remove the chimney connector, 300deg Spill Switch, (2) Bv air channels and Bv draft diverter plate.
- 2 Install the (2) TWO air channel cover plates in the locations provided.
- 3 Install the draft hood cover plate in the location provided.
- 4 Install (2) TWO 3" chimney liners in the existing chimney, securing the 3" liners with 3 sheet metal screws evenly spaced to the new chimney connector.
- 5 Test fire the appliance and ensure proper operation. A venturi adjustment could be required to achieve an efficient flame. Improper operation or adjustment could result in Carbon Monoxide production causing personal or property damage.

13.FUEL CONVERSION

ENVIROGAS *FOCUS*

“Warning” This conversion kit shall be installed by a qualified service technician in accordance with the manufacturer’s instructions and all applicable codes and requirements of the authority having jurisdiction. If the information in these instructions is not followed exactly, a fire, explosion or CO poisoning may result. The qualified service agency is responsible for the proper installation of this kit. The installation is not proper or complete until the operation of the converted appliance is checked as specified in the owner’s conversion kit.

Please read and follow these instructions. Also please read the instruction guide lines provided by S.I.T on how to remove and install the HI-LOW regulator.

- STEP 1. Carefully inspect all parts supplied with this conversion kit.
- STEP 2. Shut the gas off and disconnect the main gas line from the unit.
- STEP 3. Open the door by unscrewing the two 5/16” bolts on the top corners of the doorframe. Lift the door off the mount at the bottom of the doorframe. Remove the burner tray top for the appliance
- STEP 4. Change the regulator on the front of the gas valve. (Follow the instructions provided by S.I.T)
- STEP 5. To change the pilot orifice, simply pull the pilot hood straight up to access the pilot injector. Using a 5/32” Allen key remove the pilot injector and replace with new pilot injector supplied in the conversion
- STEP 6. Install the new piolt injestor supplied with this conversion kit, simply screw the new injector inside the pilot hood and reinstall pilot hood by placing hood on the assembly lining up the key way and snap into place.
- STEP 7. Remove the main burner orifice with a 1/2” deep socket.
- STEP 8. Install the new orifice supplied. Be sure to put a bead of pipe thread sealant or approved Teflon tape on the orifice before installing into the burner assembly.
- STEP 9. Reinstall the burner tray, log set and door.
- STEP 10. Reconnect the gas line to the unit. Do a leak check using a soap and water solution or an approved method on the gas supply line.
- STEP 11. Re-light the appliance to insure proper operation and proper flame appearance. Be sure to adjust the venturi setting to achieve an efficient flame in the fireplace.
- STEP 12. MAKE SURE that the sticker provided by S.I.T is installed to signify that this valve has been converted to a different type of fuel. Also make sure that the rating plate has a conversion label to show that this unit has been converted to a different fuel type.

A VISUAL CHECK OF THE REGULATOR KNOB IS NECESSARY TO DETERMINE WHETHER OR NOT THE REGULATOR IS THE CORRECT PART. A 50% TURN DOWN REGULATOR WILL HAVE ONLY ONE CORNER ON THE KNOB.

1 50% turn down HI-LOW Regulator w 3 T-20 Torx screws
1 pilot injector
1 Main orifice
Conversion instructions.
Labels to show conversion.

	NATURAL GAS	PROPANE
Pilot Orifice.	.51mm	.35mm
Burner Orifice.	# 38 dms	# 52 dms
Venturi Settings	1/16” min	3/16” min

14. TROUBLE SHOOTING

Problem	Possible Cause	Solution
Spark will not arc to the pilot after repeated pressing of spark ignitor	Defective piezo ignitor	Check connections to ignitor -If ignitor connections are good but there is no spark-replace ignitor
	Broken spark electrode	-Check for broken ceramic insulation replace, electrode if broken
	Mis-aligned spark electrode	-If spark is not arcing from the electrode to pilot-adjust by loosening screws on pilot base. Adjust away from burner and re-tighten
Pilot will not remain lit	Problem with thermocouple circuit	-Check for proper connection of thermocouple to rear of valve. If loose, tighten lightly -Check pilot for full flame impingement around thermocouple. If the pilot is too small - Check gas pressure, adjust pilot rate screw, check pilot head for blockage. -Check thermocouple voltage at rear of valve-must be greater than 5 mV. If low, replace thermocouple.
	Air in gas line - (Pilot flame dies while knob is depressed.)	-Bleed line. -Check gas line pressure. -Contact dealer.
Burners will not remain lit	Problem with thermopile circuit	-Check gasline pressure. -Check for flame impingement on thermopile, if low see "Pilot will not stay lit" -check thermopile for a Minimum of 300 mV when burner switched on. -Check wiring to thermostat for breaks. BV only: - Check for spillage at draft hood that may trip spill switch.
Flame lifting	- Leak in vent pipe - Improper vent configuration - Terminal may be recirculating flue gases	-check for leaks in vent connections -check vent configuration with manual -check to see if terminal is on correctly -May need to install high wind termination cap -contact dealer.
BV only: insufficient air for combustion	- Air tight house - A Vacuum in room due to other air moving device	- supply make up air to the unit.
Glass fogs up	Normal conditions - after the appliance warms up glass will clear ** Due to additives in gas, glass may get hazy during normal use** Clean when needed.	
Blue flames	Normal during start - flame will yellow as the appliance heats up.	
Flames are burning "dirty" or Sooting	Flame impingement	-check log position -increase primary air by opening venturi shutters see also "Burners will not stay lit"

15. WARRANTY

Sherwood Industries Ltd. offers a Limited Lifetime Warranty on this gas product. This limited lifetime warranty covers the appliance for a period of seven years from the date of installation. This warranty applies only to the original owner in the original location

Covered under the lifetime warranty are, Surround Panels and Chassis and Heat Exchanger. These steel components are covered against manufacturer's defects for 7 years and labour for the first year. (A) The following exclusions apply:- over-firing due to incorrect setup or tampering, damage caused by incorrect installation, usage or abuse. The unit must be properly installed by a qualified technician or installer, and must meet all local and national gas and building code requirements.

We also cover against manufacture defects under our Limited Lifetime warranty. The following components,

Gold Plating, Log Set, Burners and Glass (A) The following exclusions apply: Gold plating- Damage caused by scratching, marring, chemicals, fingerprints, abrasive cleaners or discoloration with age. Glass- use of harsh or abrasive cleaners, striking the glass or surface contaminates. Logset- Damage caused by incorrect handling or misuse. Burners- damage caused by improper or continuous operation under incorrect conditions.

Sherwood Industries Ltd. offers a 2-year warranty on all the Electrical Components and Gas Components against manufacturing defects. Paint is covered against flaking. This offer includes parts and labor for 1 year and for parts only thereafter.

Your dealer shall make all claims under this warranty in writing.

WHEN FILING A WARRANTY CLAIM PLEASE COMPLETE THE FOLLOWING INFORMATION ON AN OFFICIAL WARRANTY CLAIM FORM:

TO THE DEALER

Name, address and telephone number of purchaser and date of purchase.

Date of installation. Name of installer and dealer. Serial number of the appliance. Nature of complaint, defects or malfunction, description and part # of any parts replaced.

TO THE DISTRIBUTOR

Sign and verify that work and information are correct.

This warranty covers defects in materials and workmanship only if the product has been installed according to the manual's instructions. If the product is damaged or broken as a result of misuse or mishandling the warranty does not apply. The warranty does not cover removal and re-installation costs.

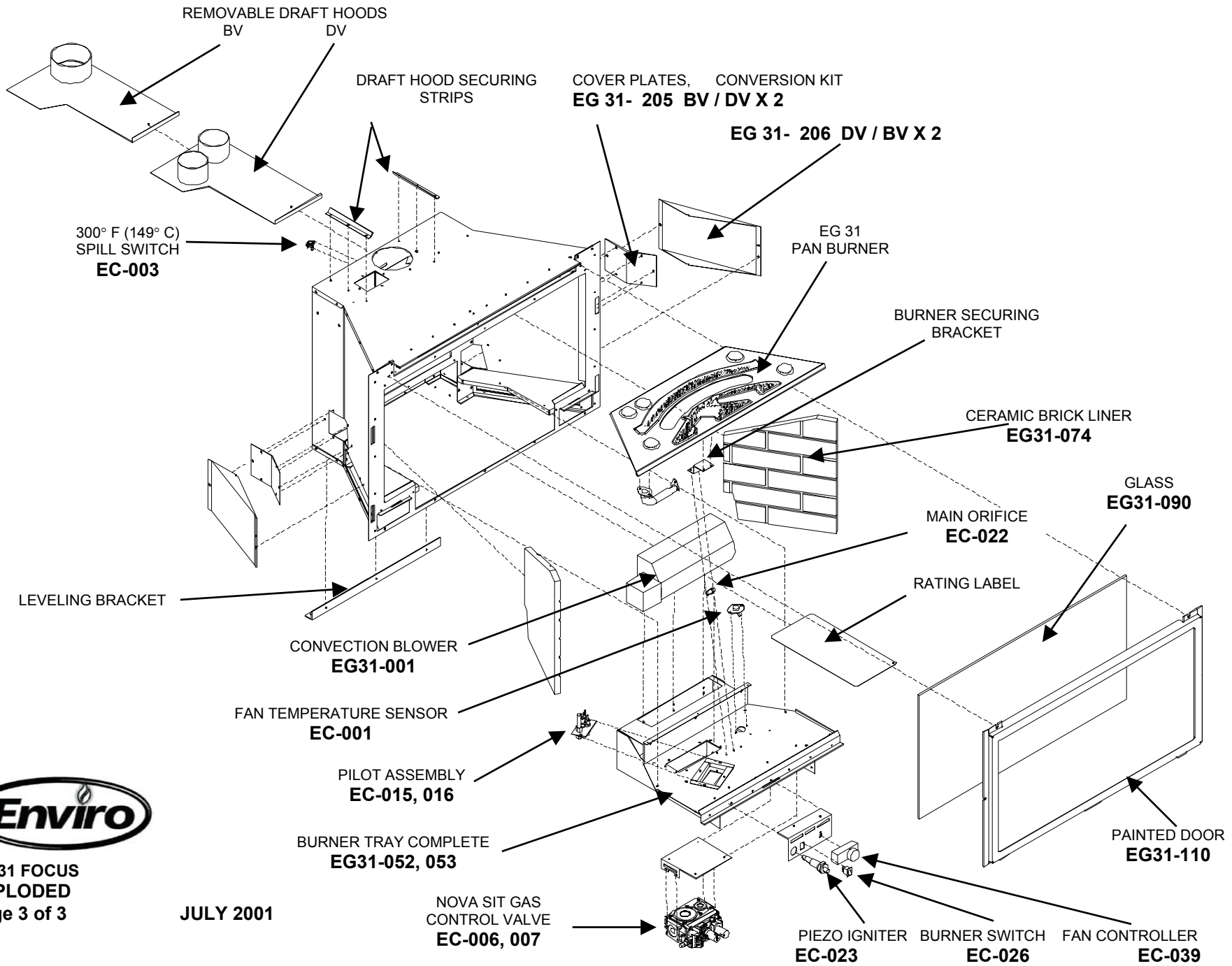
Sherwood Industries Ltd. reserves the right to repair or to replace the defective product. The shipping costs are to be paid by the consumer. All warranties by the manufacture are set forth herein and no claim shall be made against the manufacturer on any oral warranty or representation.

Sherwood Industries Ltd. and its employees or representatives will not assume any damages, either directly or indirectly caused by improper usage, operation, installation, servicing or maintenance of this appliance.

Sherwood Industries Ltd. reserves the right to make changes without notice. Please complete and mail the warranty registration card and have the installer fill in the installation data sheet in the back of the manual for warranty and future reference.

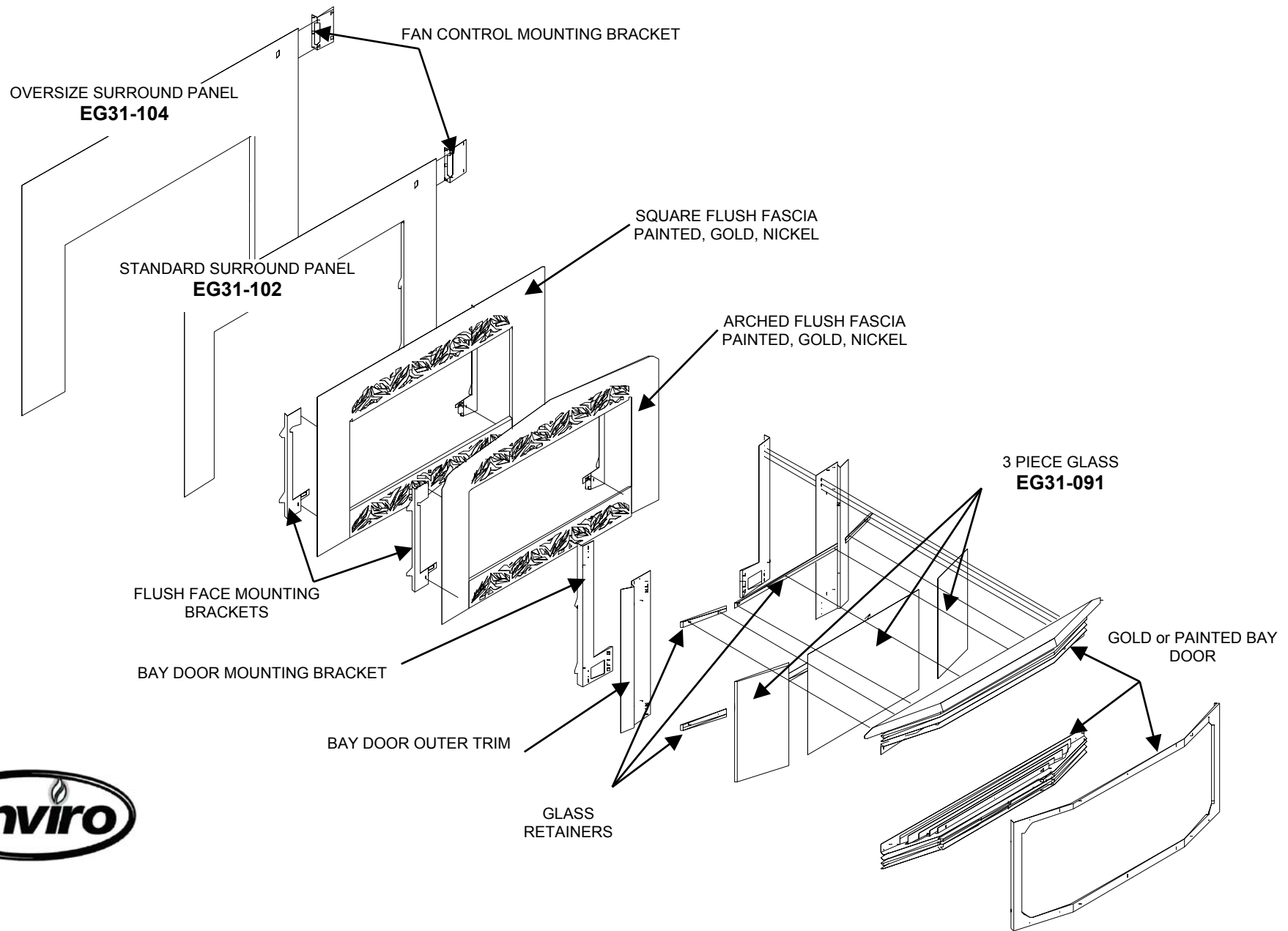
ENVIROGAS EG31 FOCUS PARTS LIST

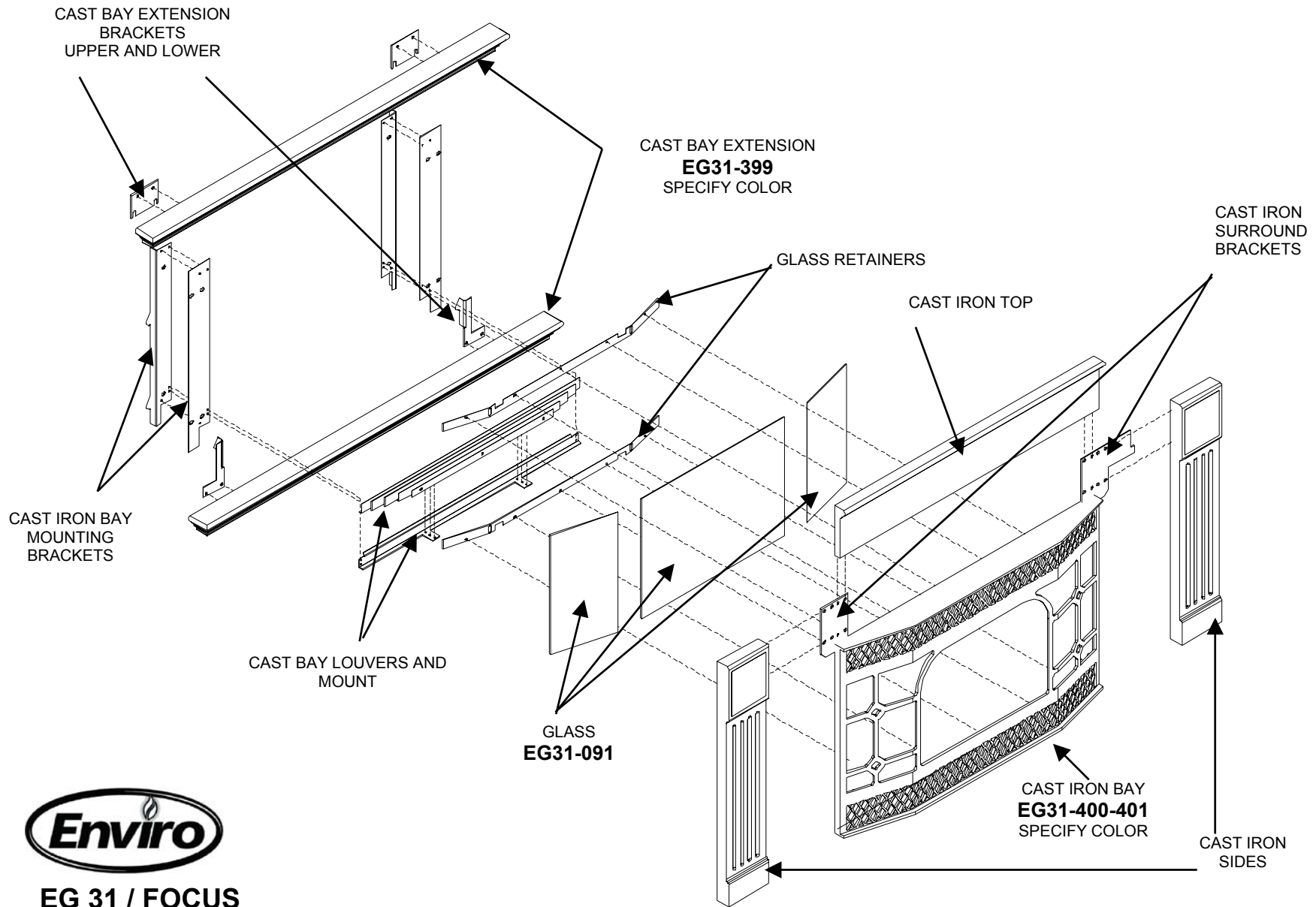
PART #	DESCRIPTION
EG31-001	CONVECTION BLOWER
EG31-002	HEYCO STRAIN RELIEF
EG31-003	FAN CONTROLLER W/KNOB
EG31-004	POWER CORD
EG31-008	BURNER SWITCH
EG31-014	120 CERAMIC FAN TEMP SENSOR
EG31-030	BLANK ORIFICE
EG31-031	THERMOCOUPLE
EG31-032	IGNITOR ELECTRODE
EG31-035	PIEZO IGNITOR
EG31-036	16" IGNITOR CABLE
EG31-040	THERMOPILE
EG31-041	SIT NOVA 820 VALVE NG
EG31-042	SIT NOVA 820 VALVE LP
EG31-043	PILOT W/ELECTRODE NG
EG31-044	PILOT W/ELECTRODE LP
EG31-052	BURNER CONTROL ASSEMBLY NG
EG31-053	BURNER CONTROL ASSEMBLY LP
EG31-062	18" FLEX LINE WITH 3/8 ELBOW
EG31-067	FAN CONTROLLER KNOB
EG31-072	LOG SET W/EMBERS
EG31-073	EMBERS
EG31-074	BRICK LINER CERAMIC
EG31-087	RELIEF DOOR GASKET
EG31-089	WINDOW CHANNEL TAPE
EG31-090	1 PC. GLASS W/TAPE
EG31-091	3 PCS. GLASS SET W/TAPE / OUTER DOOR
EG31-092	PAINTED DOOR ONLY
EG31-099	VENTURI
EG31-101	PILOT GASKET



EG 31 FOCUS
EXPLODED
Page 3 of 3

JULY 2001





EG 31 / FOCUS
CAST BAY FRONT, EXPLODED
 Page 1 of 3

JULY 2001

16. INSTALLATION DATA SHEET

The following information must be recorded by the installer for warranty purposes and future reference.

Envirogas Models: ***FOCUS BV / DV***

Name of Owner: _____
Address: _____ _____ _____
Phone: _____

Name of Dealer: _____
Address: _____ _____ _____
Phone: _____

<ul style="list-style-type: none">• Model : _____• Serial Number: _____• Date of Purchase: _____/_____/_____• Date of Installation: _____/_____/_____• ___ Natural Gas (Nat.), ___ Propane (LPG)• Inlet Gas Supply Pressure: _____ in.w.c. <p>If the orifices were changed by the installer.</p> <p>Main Burner Orifice; _____ # DMS</p> <ul style="list-style-type: none">• Pilot Orifice # _____ or _____ in.Dia. <p>Installer's Signature</p>

Name of Installer: _____
Address: _____ _____ _____
Phone : _____

WEB SITE ADDRESS (www.envirofire.biz)

8/29/02

MANUFACTURED BY:

SHERWOOD INDUSTRIES, 6782 OLDFIELD ROAD, SAANICHTON, B.C., CANADA V8M 2A3