

GENERAL INSTALLATION INSTRUCTIONS

1. Follow the stove manufacturer's instructions.
 - A. Choose a stove that is listed by a recognized testing laboratory.
 - B. Connect only one flue per appliance.
 - C. Follow the stove manufacturer's instructions and safety manual for maximum efficiency and safety. Overfiring can damage the stove and pellet vent.
2. If the vent exit is on top of the stove: **(Figure 1)**
 - A. Place the appliance according to the manufacturer's instructions.
 - B. Drop a plumb bob to the center of the appliance flue outlet and mark center point on the ceiling, cut a square hole in the ceiling for the Ceiling Support Firestop Spacer. Refer to **Table 1** for the dimensions of the hole.
 - C. Connect pipe adaptor to stove: Attach each section of pipe by pushing male and female ends of pipe together and twisting until pipe is in locked position.
 - D. When the pipe passes through the Firestop/Support at ceiling, tighten bolt and clamp around pipe.

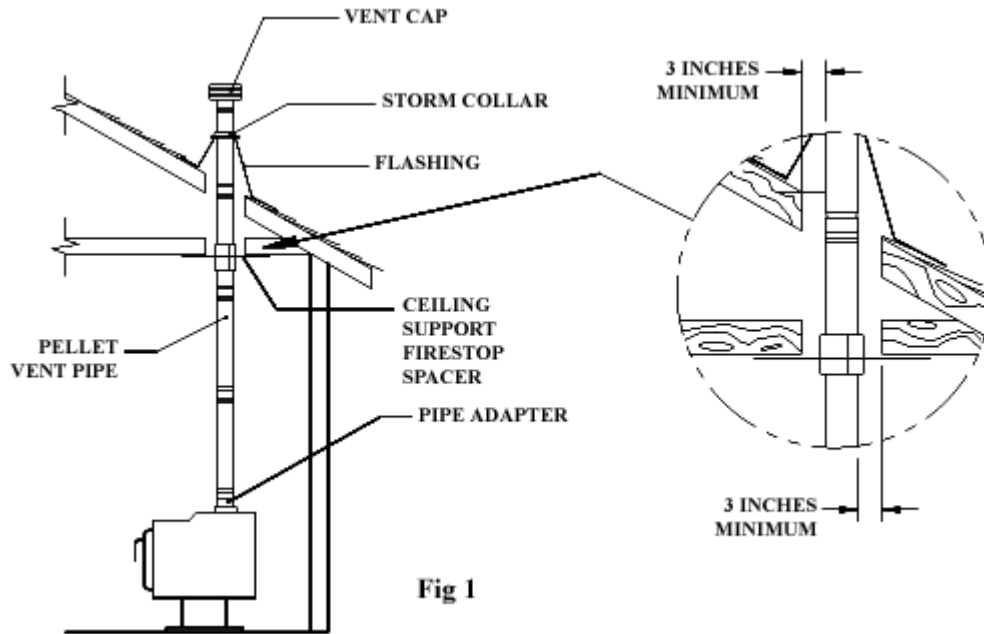


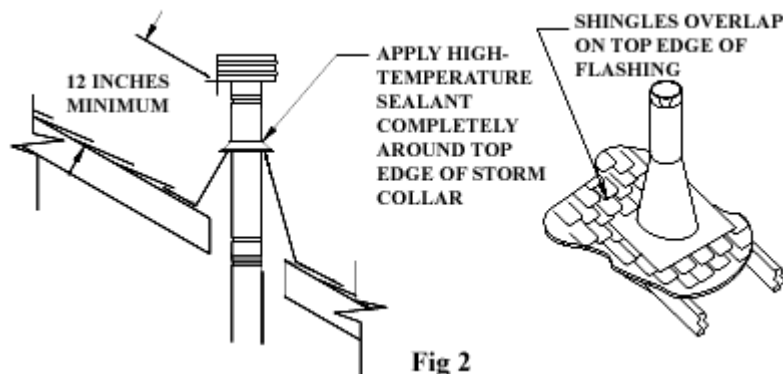
TABLE 1	
PIPE-SIZE	OPENING (Inside Dimension)
3 INCH	9 5/8 x 9 5/8
4 INCH	10 5/8 x 10 5/8
5 INCH	11 5/8 x 11 5/8
6 INCH	12 5/8 x 12 5/8

E. ALWAYS MAINTAIN AT LEAST 3" CLEARANCE FROM COMBUSTIBLE

MATERIALS. Where the chimney passes through additional floors and ceilings, always install a Firestop Spacer.

F. After lining up for hole in roof, use same method as **2.(B)**; cut either a round or square hole in the roof. Always cut the hole 6" larger than the diameter of the pipe. Install the upper edge and sides of Flashing under the roofing materials and nail to the roof along the upper edge. Do not nail the lower edge. Seal all nail heads with high-temperature waterproof sealant.

G. To finish, apply high-temperature waterproof sealant where the Storm Collar will meet the vent and Flashing; slide Storm Collar down until it sets on the Flashing, put the Cap on and twist to lock. (**Figure 2**)



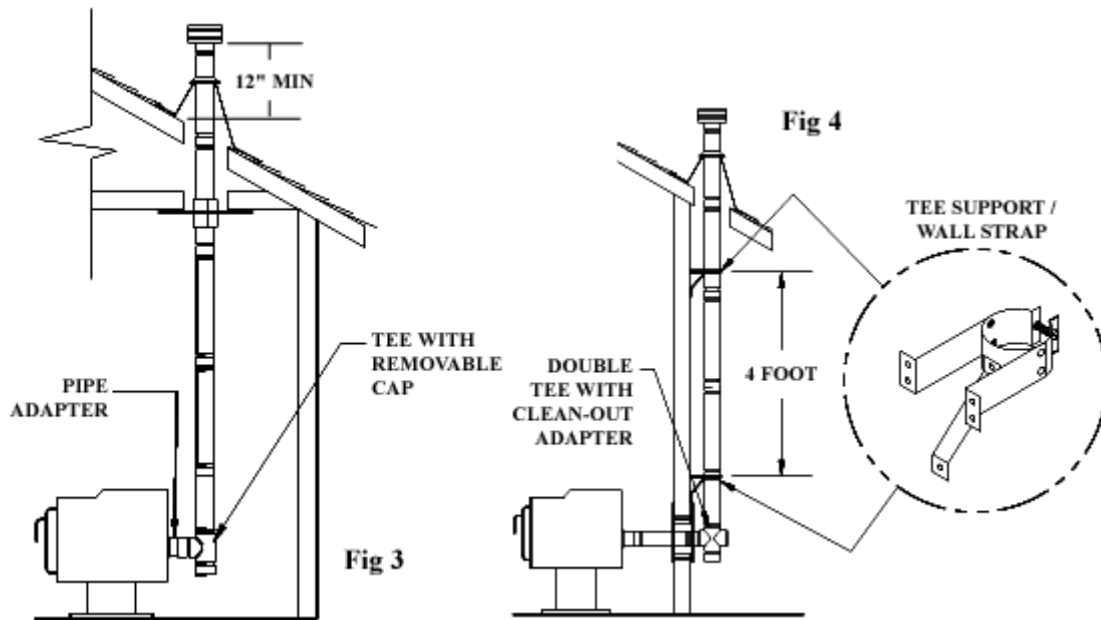
3. If the flue exit is on back of stove and interior installation is desired: (**See the example in Figure 3**):

- A.** Place the appliance according to the manufacturer's instructions.
- B.** Connect a Pipe Adapter to the back of the stove and attach a Tee to Pipe Adapter, align, push together and twist to lock.
- C.** Continue to assemble pipe in the manner described in **paragraph 2**.

4. If the flue exit is on back of stove, and exterior vertical installation is desired: (**Figure 4**):

- A.** Place the appliance according to manufacturer's instructions.
- B.** Cut a square opening in the wall in accordance with the dimensions in **Table 2**. The black portion of the Wall Thimble is to be attached to the interior wall, and the galvanized portion is to be attached to the exterior wall. The Wall Thimble is adjustable to fit walls from 3"-8" thick. (**Figure 5**)

C. Connect a Pipe Adapter to back of stove; attach pipe to penetrate wall so vertical section from Tee will be 3" from the exterior of the wall. Attach a regular Tee or a Double Tee with Cleanout Adapter, and proceed up the wall. Attach a Tee Support/Wall Strap just above the tee. A Tee Support/Wall Strap must be placed at 4-foot intervals along the vertical run. Assemble pipe in the same manner described in **paragraph 2** of the general instructions. If an Adjustable Length is required in the horizontal run, and the Adjustable Length must enter the Wall Thimble, the diameter of the center hole in the Wall Thimble must be enlarged by 1/8" to accommodate the Adjustable Length.



D. Seal the galvanized section of the Wall Thimble to the exterior wall with non-hardening sealant.

5. If the flue exit is on back of the stove, and a horizontal through-the-wall installation is desired: **(Figure 6)**.

A. Place the appliance according to manufacturer's instructions.

B. Connect the Pipe Adapter to back of stove and attach sufficient pipe to penetrate Wall Thimble and extend at least 6" beyond the exterior wall. You may install the optional House Shield as shown in **Figure 6**. The House Shield is used to protect the exterior wall from vent discharge. Attach a Horizontal Cap. The vent Cap should be at least 6" from the wall.

C. Follow the below listed NFPA rule for distance of exit terminal from windows and openings:

NFPA 211 6-3.5 Termination: 6-3.5 Mechanical draft systems need not comply with 6-3.1 and 6-3.3 provided they comply with the following:

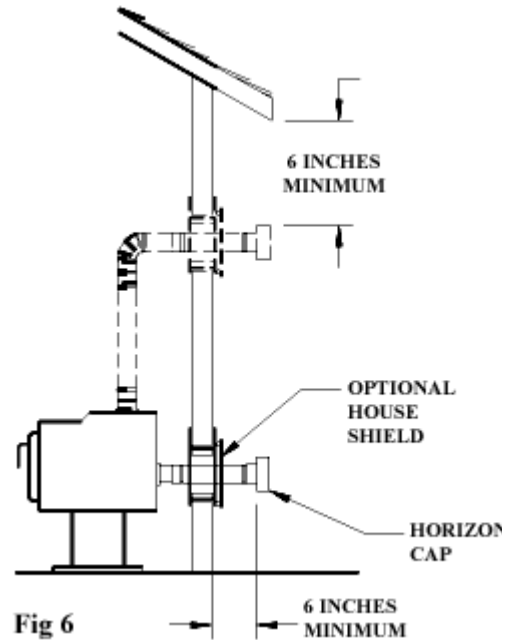
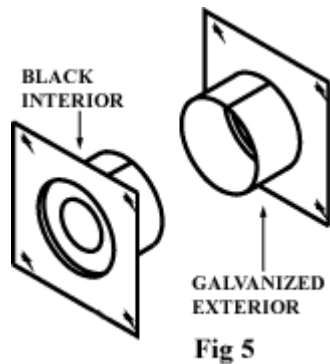
(a) The exit terminal of a mechanical draft system, other than a direct vent appliance (sealed combustion system appliance), shall be located in accordance with the following:

(1) Not less than 3 ft. (.91m) above any forced air inlet located within 10 ft. (3m).

(2) Not less than 4 ft.(1.2m) below, 4 ft.(1.2m) horizontally from or 1 ft. (304mm) above any door, window or gravity air inlet into any building, and;

(3) Not less than 2 ft. (.61m) from an adjacent building and not less than 7 ft. (2.1m) above grade when located adjacent to public walkways.

6. If it is desired to attach to an existing 6", 7" or 8" DuraTech, Dura-Plus or DCR chimney, either roof supported, or ceiling supported: **(Figure 7)**.



A. Remove any existing connector pipe, adapter or connector going into the ceiling support box.
B. Visually inspect with a flashlight the condition of the interior of the chimney for cleanliness and structural integrity. All evidence of soot and creosote must be removed from the existing chimney. If you doubt your ability to accomplish this, contact a professional chimney sweep. Chemical cleaners must be used with great discretion. Use only a chemical cleaner which is positively warranted not to cause corrosion or other harmful effects. Do any required maintenance on the existing chimney at this time.

C. Install a Close Clearance Adapter (available in the Dura-Vent chimney product catalog - part numbers (6") 8674, (7") 8774, or (8") 8874, in the existing ceiling support box, as shown in Figure 6. Note that the Close Clearance Adapter only connects to Simpson Dura-Vent chimney systems.

D. Connect the appropriate size Chimney Adapter to the Close Clearance Adapter.

E. Connect the appliance to the Chimney Adapter using a Pipe Adapter, lengths of pipe as required and an Adjustable Length pipe. Slide the Adjustable Length down over the top pipe section, position the installation vertically plumb, then slip the Adjustable Length up and twist lock it to the Chimney Adapter. Once all the components are firmly seated and properly aligned, carefully drill three 1/8" diameter holes through the outer sleeve only in the center of the slots located at the bottom of the Adjustable Length pipe. Do not penetrate the inner liner. Use (3) 3/8" length sheet metal screws to secure the Adjustable Length pipe. The completed installation will look like Figure 7.

