

# SPECIFICATIONS

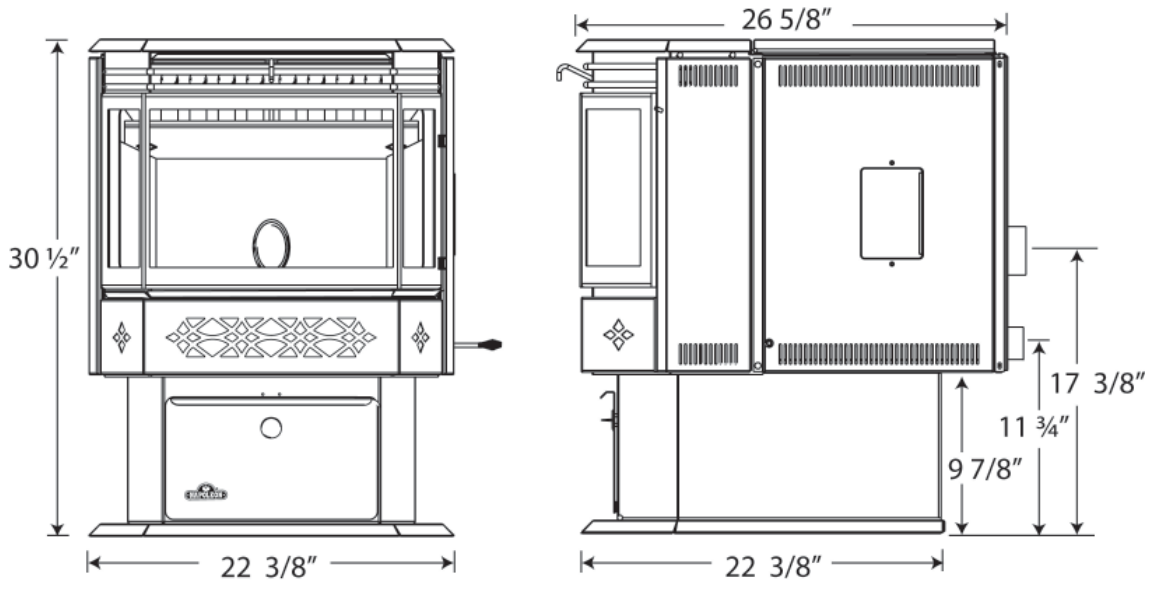
## HEATING SPECIFICATIONS

Approximate Maximum Heating Capacity (in square feet)*	800 to 2000 Sq. Feet
Burn Rate (Pounds per Hour)**	1.0 to 5.0
Maximum Burn Time on Low Burn**	55 Hours
Hopper Capacity	55 Pounds

\* Heating capacity will vary depending on the home's floor plan, degree of insulation, and the outside temperature. It is also affected by the fuel size, quality, and moisture level.

\*\* Small pellets will increase or decrease the stated burn rates and burn times. Differences of plus or minus 20% depending on fuel quality may occur.

## DIMMENSIONS



## SPECIFICATIONS

Electrical Rating	115 Volts, 3.6 Amps, 60Hz
Watts During Start-Up Sequence	400 (approximately)
Watts During Operation	180 (approximately)
Width	22 3/8"
Height	30 1/2"
Depth	26 5/8"
Weight	210 Pounds
Exhaust Collar	3"
Intake Collar	2"
Hopper Cap.	55 Pounds
EPA	Exempt
Burn Rate**	1.0 to 5.0 (Pounds Per Hour)
BTU/h**	8500 to 42500

## EPA COMPLIANCE

This heater is EPA exempt from Phase II requirements, but has been tested for emissions using EPA test methods by Warnock Hersey.

**NATIONAL  
FIREPLACE  
INSTITUTE**



**CERTIFIED**  
[www.nficertified.org](http://www.nficertified.org)

We suggest that our pellet products be installed and serviced by professionals who are certified in the U.S. by the National Fireplace Institute® (NFI) as NFI Gas Specialists.